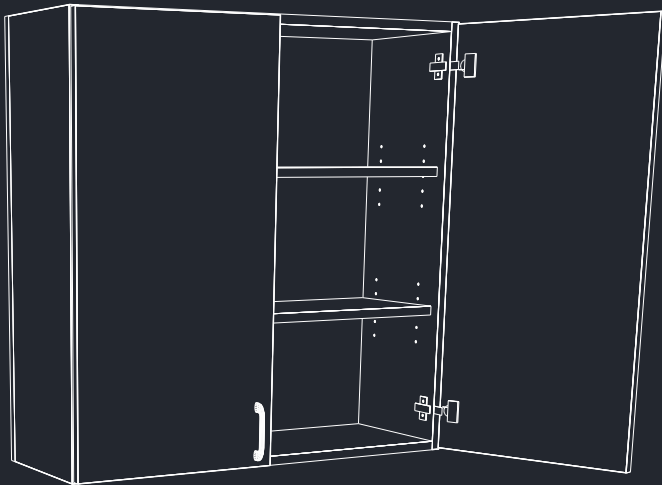




KITCHEN & BATH

DESIGN GROUP

Powered by  Oprea Technologies



CABINET
SPECIFICATIONS



KITCHEN & BATH
DESIGN GROUP

Powered by  Oprea Technologies

INDEX

PAGE 3 | DOOR TYPES, STYLES, FINISHES
& CONSTRUCTION

PAGE 12 | WALL CABINETS

PAGE 31 | BASE CABINETS

PAGE 46 | TALL CABINETS

PAGE 55 | VANITY CABINETS

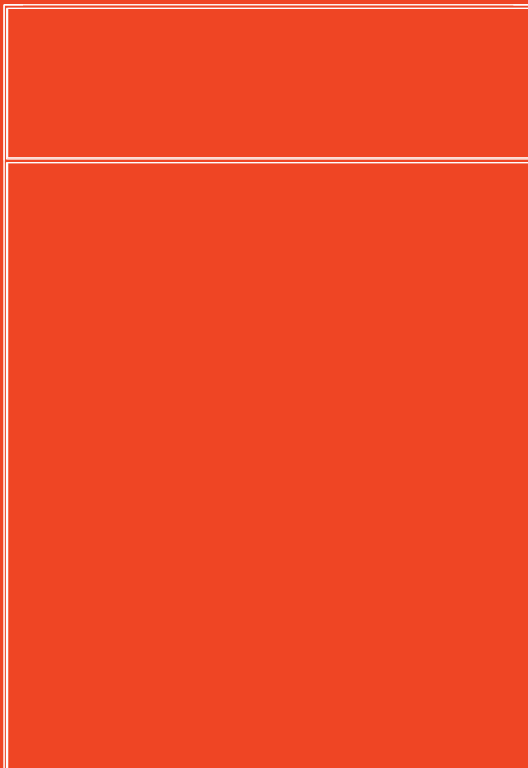
PAGE 70 | UNIVERSAL ACCESS CABINETS

PAGE 85 | FILLERS, PANELS & MOLDINGS

PAGE 97 | WARRANTY



DOOR TYPES, STYLES, FINISHES & CONSTRUCTION



DOOR TYPES



WOOD



MDF



SLAB

WOOD DOOR STYLES



ATHENS



GEORGIA



SHAKER



TAPERED



TRADITIONAL

MDF DOOR STYLES



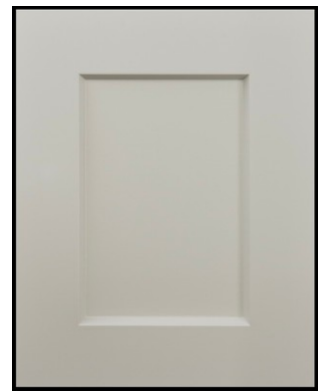
DOUBLE SHAKER



GEORGIA



SHAKER



TAPERED



SHAKER BEAD



TRADITIONAL



SHAKER V GROOVE

WOOD DOOR STAIN FINISHES



SB004 WARM TOFFEE



SB008 SOFT PEARL



SB014 CHOCOLATE BROWNIE



SB018 WARM CARMEL



SB035 SWEET HONEY

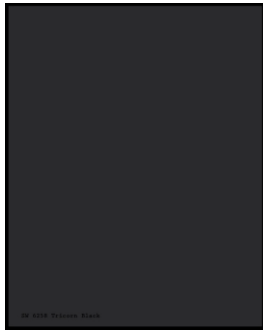


SB036 ANTIQUE BARREL

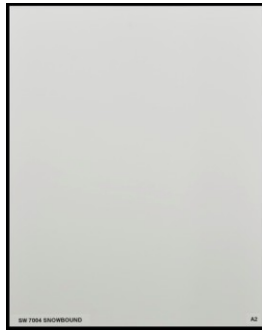


SB038 PERFECT BROWN

WOOD DOOR PAINT FINISHES



SW 6258 TRICORN BLACK



SW 7004 SNOWBOUND



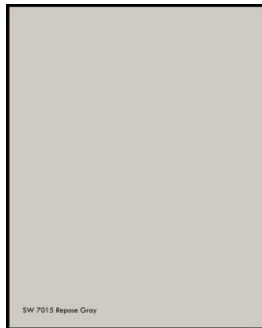
SW 7005 PURE WHITE



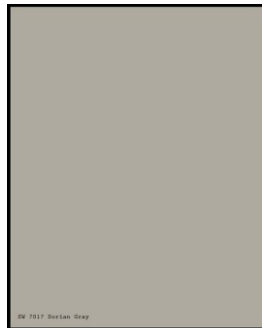
SW 7006 EXTRA WHITE



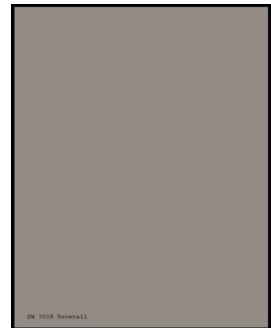
SW 7008 ALABASTER



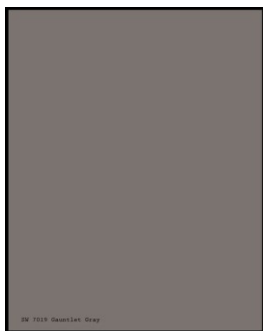
SW 7015 REPOSE GRAY



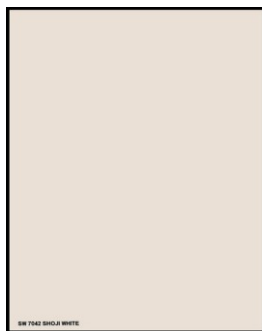
SW 7017 DORIAN GRAY



SW 7018 DOVETAIL



SW 7019 GAUNTLET GRAY



SW 7042 SHOJI WHITE



SW 7069 IRON ORE

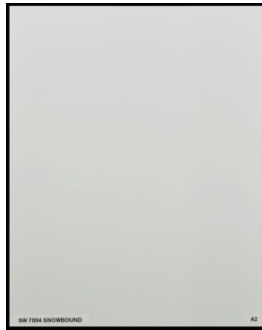


SW 7674 PEPPERCORN

MDF DOOR PAINT FINISHES



SW 6258 TRICORN BLACK



SW 7004 SNOWBOUND



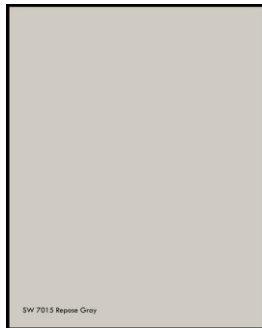
SW 7005 PURE WHITE



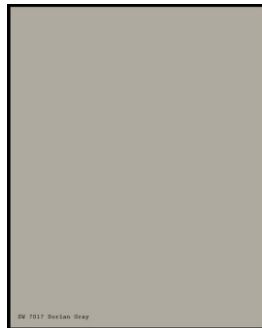
SW 7006 EXTRA WHITE



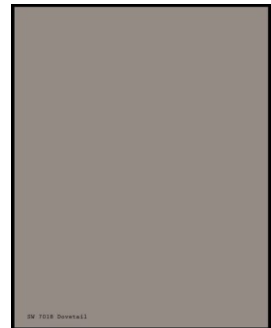
SW 7008 ALABASTER



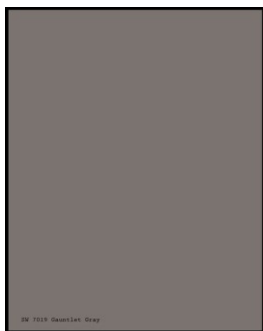
SW 7015 REPOSE GRAY



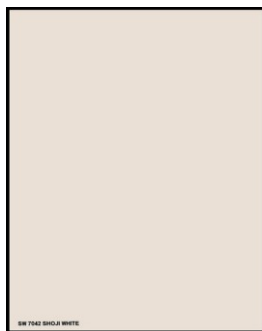
SW 7017 DORIAN GRAY



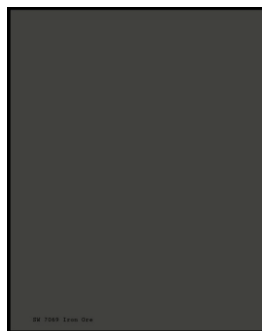
SW 7018 DOVETAIL



SW 7019 GAUNTLET GRAY



SW 7042 SHOJI WHITE

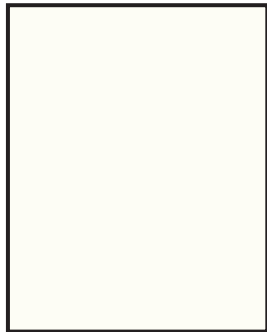


SW 7069 IRON ORE



SW 7674 PEPPERCORN

SLAB DOOR TFL FINISHES



WHITE



SILVER GREY



NATURAL MAPLE



BLACK



CHOCOLATE PEAR TREE



HOT FUDGE



VICENZA OAK



CHOCOLATE CARINI WALNUT



HONEY CARINI MAPLE

FRAMELESS CONSTRUCTION SPECIFICATIONS

1 CABINET BOX CONSTRUCTION

3/4" thick double-sided TFL (thermofused laminate particleboard).
Front face is edgebanded with 1mm PVC matching door finishes. 8mm wood doweled construction with a 1/4" thick TFL back.

All Open Stained/Painted Cabinets use a 3/4" thick maple plywood box with a 1/4" back.

2 Shelves

3/4" thick double-sided TFL (thermofused laminate particleboard) with matching 1 mm PVC edgeband. All shelves are adjustable on 5 mm pins.

3 Door & Drawer Fronts

-Slab:

3/4" thick double-sided TFL (thermofused laminate particleboard) slab doors and drawer fronts with 1/8" reveals. Grain runs vertically on all doors and drawer fronts. Edgebanded on all sides.

-5 Piece Wood:

3/4" thick **Cope and Stick** doors and drawer fronts. Eased edges with 1/8" reveals.
Door Frame Size: 2-3/8"
Drawer Front Frame Size: 1-1/2" Top and Bottom

-MDF:

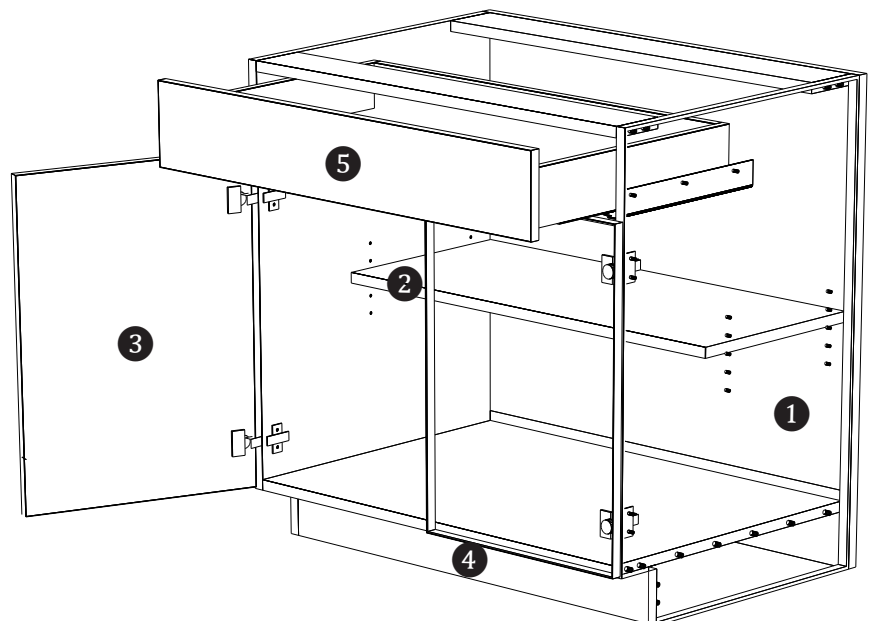
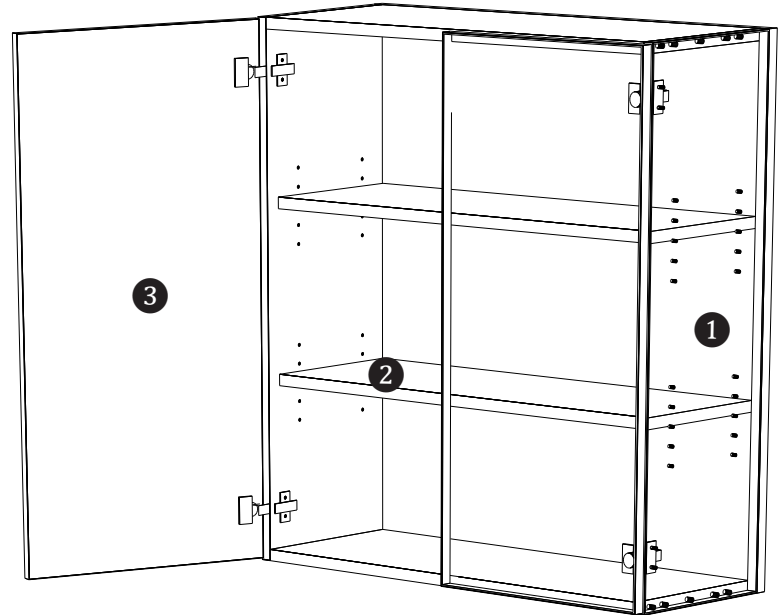
3/4" thick routed MDF doors and drawer fronts with 1/8" reveals.
Soft-closing, Concealed hinge, 105 degree, 4-way adjustable. No decorative hardware is supplied.

4 Toe kick

4" high x 3 1/2" recessed from front face of cabinet box.

5 Drawers

5/8" thick double-sided TFL (thermofused laminate particleboard) with 1 mm PVC edgeband.
Concealed undermount soft-closing slides with a load capacity of 100 lbs. Built-in drawer bumpers. 8mm wood doweled construction.



WALL CABINETS

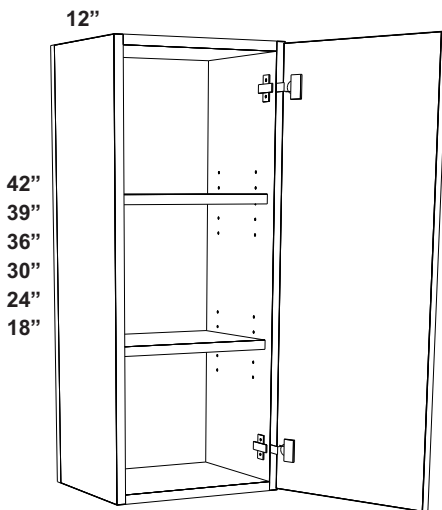


SINGLE DOOR WALL CABINETS

42", 39", 36", 30", 24", and 18" HIGH SINGLE DOOR WALL CABINETS

42" high cabinets have three adjustable shelves
 39", 36" and 30" high cabinets have two adjustable shelves
 24" and 18" high cabinets have one adjustable shelf

42" and 39" high cabinets have three hinges per door
 36", 30", 24" and 18" high cabinets have two hinges per door



42" HIGH

- W0942 L or R
- W1242 L or R
- W1542 L or R
- W1842 L or R
- W2142 L or R
- W2442_1 L or R

30" HIGH

- W0930 L or R
- W1230 L or R
- W1530 L or R
- W1830 L or R
- W2130 L or R
- W2430_1 L or R

39" HIGH

- W0939 L or R
- W1239 L or R
- W1539 L or R
- W1839 L or R
- W2139 L or R
- W2439_1 L or R

24" HIGH

- W0924 L or R
- W1224 L or R
- W1524 L or R
- W1824 L or R
- W2124 L or R
- W2424_1 L or R

36" HIGH

- W0936 L or R
- W1236 L or R
- W1536 L or R
- W1836 L or R
- W2136 L or R
- W2436_1 L or R

18" HIGH

- W1818 L or R
- W2118 L or R
- W2418_1 L or R

SINGLE DOOR LONG WALL CABINETS

42", 39", 36", 30", 24", and 18" HIGH SINGLE DOOR LONG WALL CABINETS

42" high cabinets have three adjustable shelves
39" 36" and 30" high cabinets have two adjustable shelves
24" and 18" high cabinets have one adjustable shelf

42" and 39" high cabinets have three hinges per door
36", 30", 24" and 18" high cabinets have two hinges per door

Long wall cabinet doors are 2 1/8" longer than standard doors,
extending 2" below bottom of cabinets; designed to be used as finger
pulls in place of decorative hardware

42" HIGH

WL0942 L or R
WL1242 L or R
WL1542 L or B
WL1842 L or R
WL2142 L or B
WL2442_1 L or R

39" HIGH

WL0939 L or R
WL1239 L or R
WL1539 L or R
WL1839 L or R
WL2139 L or R
WL2439_1 L or R

36" HIGH

WL0936 L or R
WL1236 L or R
WL1536 L or R
WL1836 L or R
WL2136 L or R
WL2436_1 L or R

30" HIGH

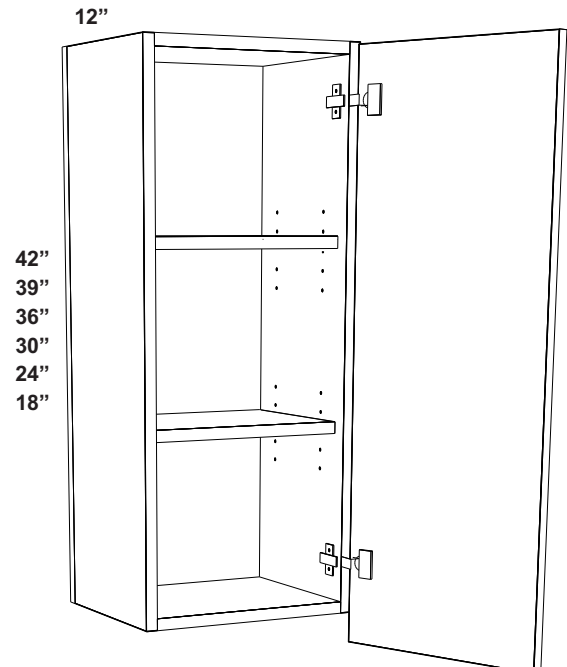
WL0930 L or R
WL1230 L or R
WL1530 L or R
WL1830 L or R
WL2130 L or R
WL2430_1 L or R

24" HIGH

WL0924 L or R
WL1224 L or R
WL1524 L or R
WL1824 L or R
WL2124 L or R
WL2424_1 L or R

18" HIGH

WL1818 L or R
WL2118 L or R
WL2418_1 L or R



TWO DOOR WALL CABINETS

42", 39", 36", 30", 24", 21" and 18" HIGH TWO DOOR WALL CABINETS

42" high cabinets have three adjustable shelves
 39", 36" and 30" high cabinets have two adjustable shelves
 24" and 18" high cabinets have one adjustable shelf

42" and 39" high cabinets have three hinges per door
 36", 30", 24" and 18" high cabinets have two hinges per door

30" HIGH

- W2430
- W2730
- W3030
- W3330
- W3630
- W3930

24" HIGH

- W2424
- W2724
- W3024
- W3324
- W3624
- W3924

21" HIGH

- W2421
- W2721
- W3021
- W3321
- W3621
- W3921

18" HIGH

- W2418
- W2718
- W3018
- W3318
- W3618
- W3918

42" HIGH

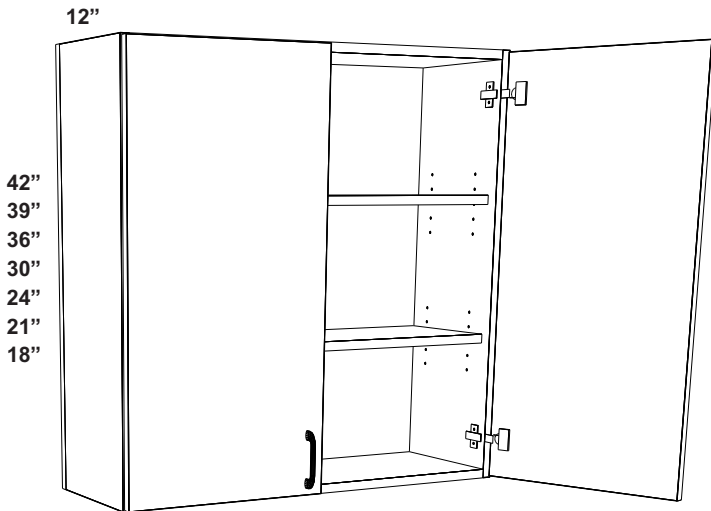
- W2442
- W2742
- W3042
- W3342
- W3642
- W3942

39" HIGH

- W2439
- W2739
- W3039
- W3339
- W3639
- W3939

36" HIGH

- W2436
- W2736
- W3036
- W3336
- W3636
- W3936



TWO DOOR WALL CABINETS

15" and 12" HIGH TWO DOOR WALL CABINETS

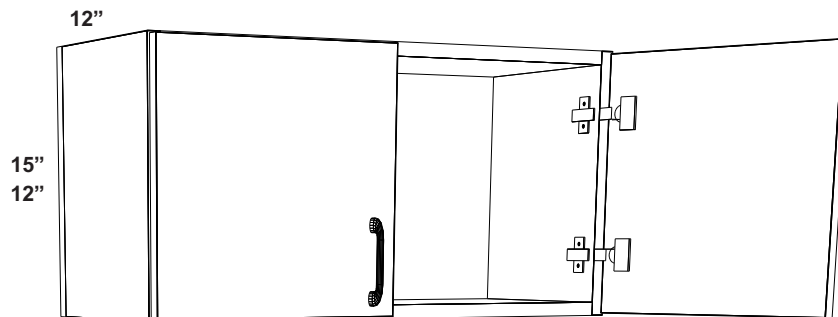
15" and 12" high cabinets do not come with shelves
15" and 12" high cabinets have two hinges per door

15" HIGH

W2415
W2715
W3015
W3315
W3615
W3915

12" HIGH

W2412
W2712
W3012
W3312
W3612
W3912



TWO DOOR LONG WALL CABINETS

42", 39", 36", 30", 24", 21" and 18" HIGH TWO DOOR LONG WALL CABINETS

42" high cabinets have three adjustable shelves
 39", 36" and 30" high cabinets have two adjustable shelves
 24" and 18" high cabinets have one adjustable shelf

42" and 39" high cabinets have three hinges per door
 36", 30", 24" and 18" high cabinets have two hinges per door

Long wall cabinet doors are 2 1/8" longer than standard doors,
 extending 2" below bottom of cabinets; designed to be used as finger
 pulls in place of decorative hardware

30" HIGH

- WL2430
- WL2730
- WL3030
- WL3330
- WL3630
- WL3930

24" HIGH

- WL2424
- WL2724
- WL3024
- WL3324
- WL3624
- WL3924

21" HIGH

- WL2421
- WL2721
- WL3021
- WL3321
- WL3621
- WL3921

42" HIGH

- WL2442
- WL2742
- WL3042
- WL3342
- WL3642
- WL3942

39" HIGH

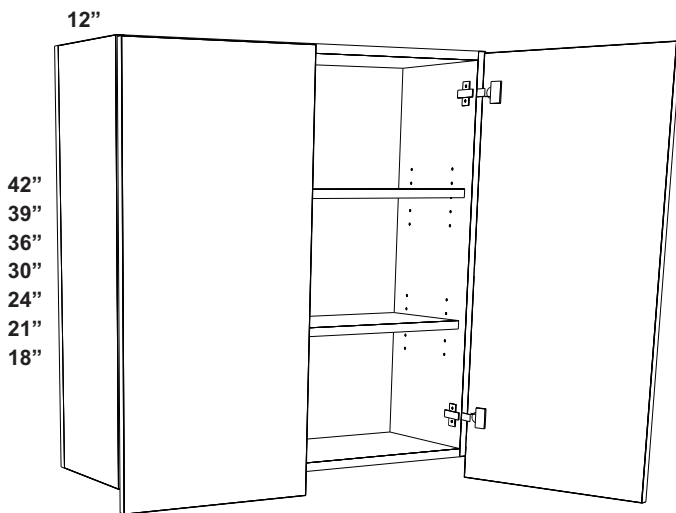
- WL2439
- WL2739
- WL3039
- WL3339
- WL3639
- WL3939

36" HIGH

- WL2436
- WL2736
- WL3036
- WL3336
- WL3636
- WL3936

18" HIGH

- WL2418
- WL2718
- WL3018
- WL3318
- WL3618
- WL3918



TWO DOOR LONG WALL CABINETS

15" and 12" HIGH TWO DOOR LONG WALL CABINETS

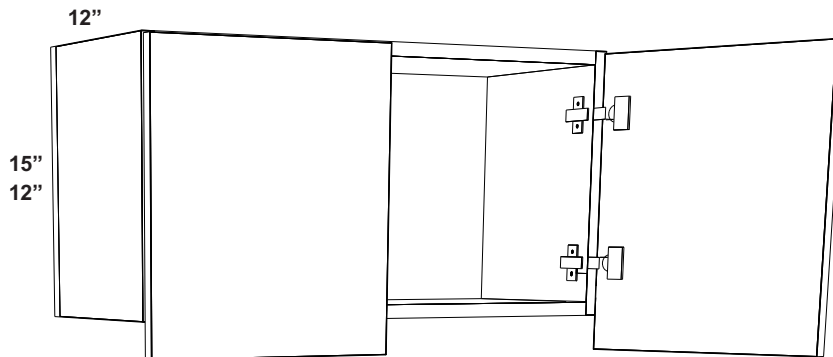
15" and 12" high cabinets do not come with shelves
15" and 12" high cabinets have two hinges per door
Long wall cabinet doors are 2 1/8" longer than standard doors,
extending 2" below bottom of cabinets; designed to be used as finger
pulls in place of decorative hardware

15" HIGH

WL2415
WL2715
WL3015
WL3315
WL3615
WL3915

12" HIGH

WL2412
WL2712
WL3012
WL3312
WL3612
WL3912



VERTICAL LIFT-UP WALL CABINETS

12" or 24" DEEP SINGLE DOOR VERTICAL LIFT-UP WALL CABINETS

Cabinets have two lift-up hinges per door with maximum 110° opening angle

Vertical lift-up wall cabinets are not available with shelves

12" DEEP CABINETS

18" HIGH

WV2418
WV3018
WV3318
WV3618

15" HIGH

WV2415
WV3015
WV3315
WV3615

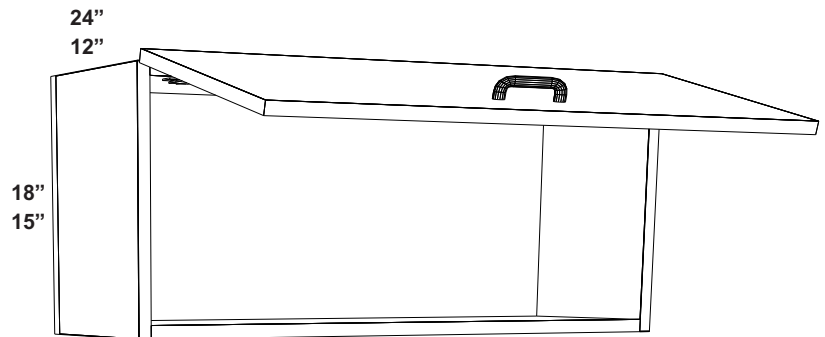
24" DEEP CABINETS

18" HIGH

WV2418-24
WV3018-24
WV3318-24
WV3618-24

15" HIGH

WV2415-24
WV3015-24
WV3315-24
WV3615-24



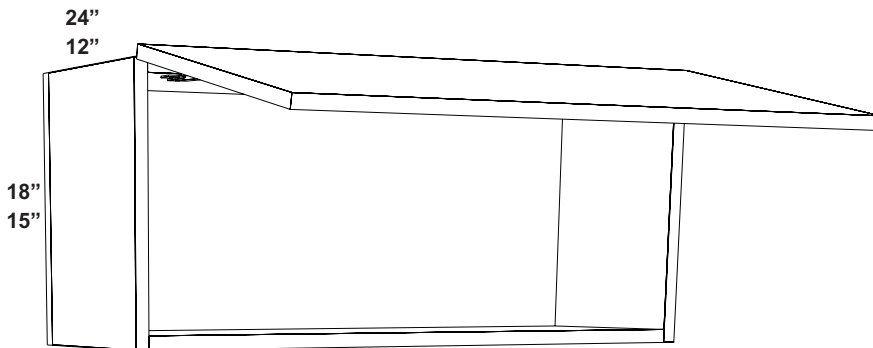
VERTICAL LIFT-UP LONG WALL CABINETS

12" or 24" DEEP SINGLE DOOR VERTICAL LIFT-UP LONG WALL CABINETS

Cabinets have two lift-up hinges per door with maximum 110° opening angle

Vertical lift-up wall cabinets are not available with shelves

Long wall cabinet doors are 2 1/8" longer than standard doors, extending 2" below bottom of cabinets; designed to be used as finger pulls in place of decorative hardware



12" DEEP CABINETS

18" HIGH

WVL2418
 WVL3018
 WVL3318
 WVL3618

15" HIGH

WVL2415
 WVL3015
 WVL3315
 WVL3615

24" DEEP CABINETS

18" HIGH

WVL2418-24
 WVL3018-24
 WVL3318-24
 WVL3618-24

15" HIGH

WVL2415-24
 WVL3015-24
 WVL3315-24
 WVL3615-24

BLIND AND CORNER WALL CABINETS

SINGLE DOOR BLIND WALL CABINETS

42" high cabinets have three adjustable shelves
 39", 36" and 30" high cabinets have two adjustable shelves
 42" and 39" high cabinets have three hinges per door
 36" and 30" high cabinets have two hinges per door

- Specify L or R blind panel location
- See page 30 for blind cabinet installation instructions
- Filler must be used. Filler sold separately, see page 86
- Allow 15" to turn corner.

42" HIGH

BLW2442 L or R
 BLW2742 L or R
 BLW3042 L or R
 BLW3342 L or R
 BLW3642 L or R
 BLW3942 L or R

39" HIGH

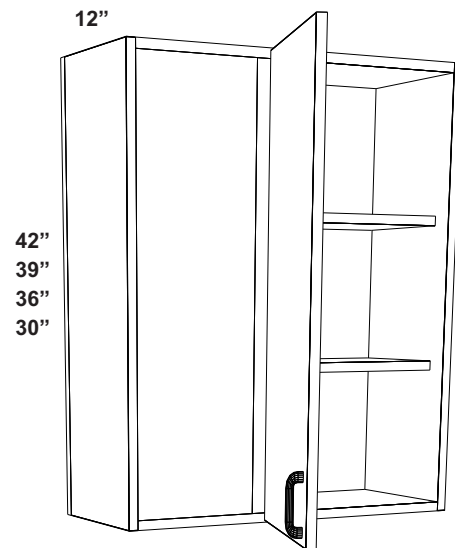
BLW2439 L or R
 BLW2739 L or R
 BLW3039 L or R
 BLW3339 L or R
 BLW3639 L or R
 BLW3939 L or R

36" HIGH

BLW2436 L or R
 BLW2736 L or R
 BLW3036 L or R
 BLW3336 L or R
 BLW3636 L or R
 BLW3936 L or R

30" HIGH

BLW2430 L or R
 BLW2730 L or R
 BLW3030 L or R
 BLW3330 L or R
 BLW3630 L or R
 BLW3930 L or R



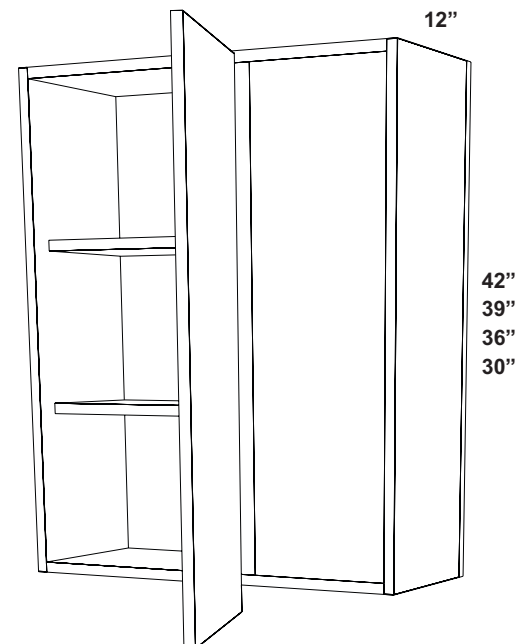
SINGLE DOOR BLIND LONG WALL CABINETS

SINGLE DOOR BLIND LONG WALL CABINETS

42" high cabinets have three adjustable shelves
 39", 36" and 30" high cabinets have two adjustable shelves
 42" and 39" high cabinets have three hinges per door
 36" and 30" high cabinets have two hinges per door

- Specify L or R blind panel location
- See page 30 for blind cabinet installation instructions
- Filler must be used. Filler sold separately, see page 86
- Allow 15" to turn corner.

Long wall cabinet doors are 2 1/8" longer than standard doors, extending 2" below bottom of cabinets; designed to be used as finger pulls in place of decorative hardware



42" HIGH

BLWL2442 L or R
 BLWL2742 L or R
 BLWL3042 L or R
 BLWL3342 L or R
 BLWL3642 L or R
 BLWL3942 L or R

36" HIGH

BLWL2436 L or R
 BLWL2736 L or R
 BLWL3036 L or R
 BLWL3336 L or R
 BLWL3636 L or R
 BLWL3936 L or R

39" HIGH

BLWL2439 L or R
 BLWL2739 L or R
 BLWL3039 L or R
 BLWL3339 L or R
 BLWL3639 L or R
 BLWL3939 L or R

30" HIGH

BLWL2430 L or R
 BLWL2730 L or R
 BLWL3030 L or R
 BLWL3330 L or R
 BLWL3630 L or R
 BLWL3930 L or R

CORNER WALL CABINETS

90° CORNER WALL CABINETS

42" high cabinets have three adjustable shelves
 39", 36" and 30" high cabinets have two adjustable shelves
 42" and 39" high cabinets have three hinges per door
 36" and 30" high cabinets have two hinges per door

42" HIGH

WER2442 L or R

39" HIGH

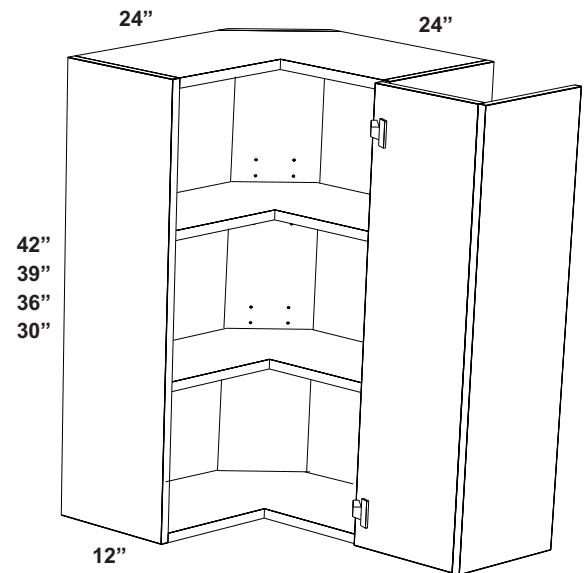
WER2439 L or R

36" HIGH

WER2436 L or R

30" HIGH

WER2430 L or R



90° CORNER LONG WALL CABINETS

42" high cabinets have three adjustable shelves
 39", 36" and 30" high cabinets have two adjustable shelves
 42" and 39" high cabinets have three hinges per door
 36" and 30" high cabinets have two hinges per door
 Long wall cabinet doors are 2 1/8" longer than standard doors,
 extending 2" below bottom of cabinets; designed to be used as finger
 pulls in place of decorative hardware

42" HIGH

WERL2442 L or R

30" HIGH

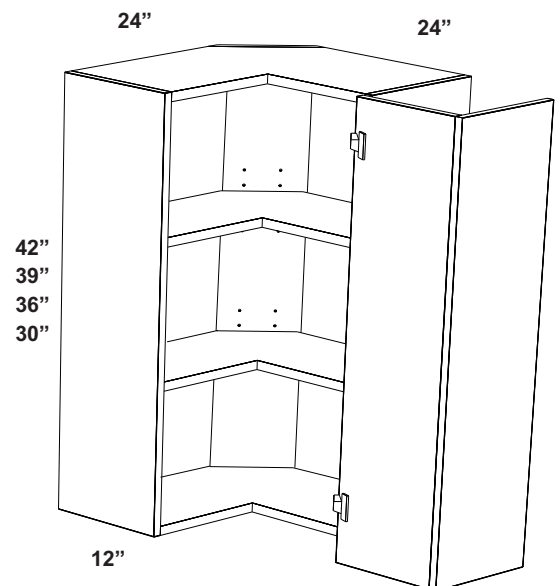
WERL2430 L or R

39" HIGH

WERL2439 L or R

36" HIGH

WERL2436 L or R



CORNER WALL CABINETS

45° CORNER WALL CABINETS

42" high cabinets have three adjustable shelves
 39", 36" and 30" high cabinets have two adjustable shelves
 42" and 39" high cabinets have three hinges per door
 36" and 30" high cabinets have two hinges per door

42" HIGH

CW2442 L or R

39" HIGH

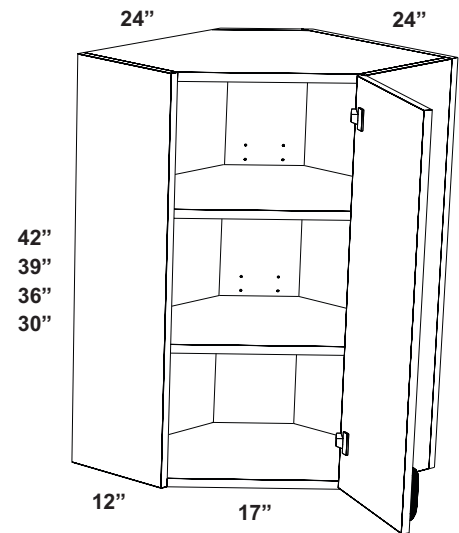
CW2439 L or R

36" HIGH

CW2436 L or R

30" HIGH

CW2430 L or R



45° CORNER LONG WALL CABINETS

42" high cabinets have three adjustable shelves
 39", 36" and 30" high cabinets have two adjustable shelves
 42" and 39" high cabinets have three hinges per door
 36" and 30" high cabinets have two hinges per door
 Long wall cabinet doors are 2 1/8" longer than standard doors,
 extending 2" below bottom of cabinets; designed to be used as finger
 pulls in place of decorative hardware

42" HIGH

CWL2442 L or R

39" HIGH

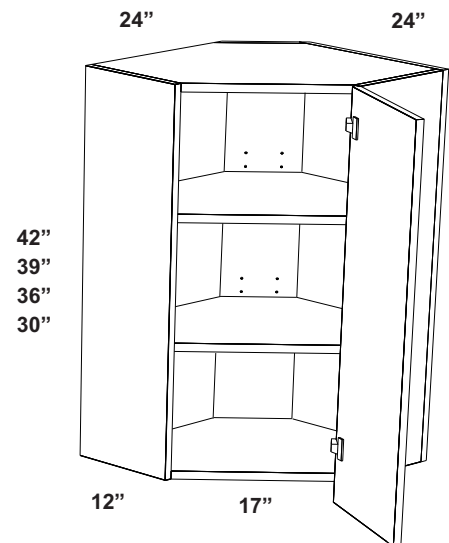
CWL2439 L or R

36" HIGH

CWL2436 L or R

30" HIGH

CWL2430 L or R



REFRIGERATOR WALL CABINETS

TWO DOOR 24" DEEP REFRIGERATOR WALL CABINET

24", 21", and 18" high cabinets have one adjustable shelf
15" and 12" high cabinets do not come with shelves
24", 21", 18", 15", and 12" high cabinets have two hinges per door
Must be installed between walls and/or tall cabinetry of equal or greater depth for support

24" HIGH

W3024-24
W3324-24
W3624-24
W3924-24

21" HIGH

W3021-24
W3321-24
W3621-24
W3921-24

18" HIGH

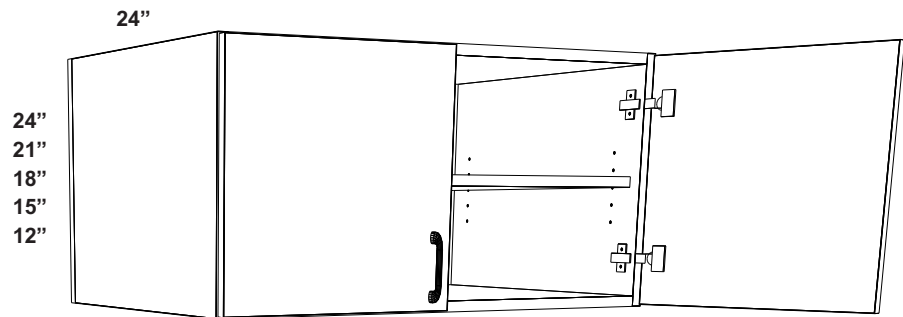
W3018-24
W3318-24
W3618-24
W3918-24

15" HIGH

W3015-24
W3315-24
W3615-24
W3915-24

12" HIGH

W3012-24
W3312-24
W3612-24
W3912-24



REFRIGERATOR WALL CABINETS

TWO DOOR 24" DEEP REFRIGERATOR LONG WALL CABINETS

24", 21", and 18" high cabinets have one adjustable shelf

15" and 12" high cabinets do not come with shelves

24", 21", 18", 15", and 12" high cabinets have two hinges per door

Must be installed between walls and/or tall cabinetry of equal or greater depth for support

Long wall cabinet doors are 2 1/8" longer than standard doors, extending 2" below bottom of cabinets; designed to be used as finger pulls in place of decorative hardware

24" HIGH

WL3024-24
WL3324-24
WL3624-24
WL3924-24

12" HIGH

WL3012-24
WL3312-24
WL3612-24
WL3912-24

21" HIGH

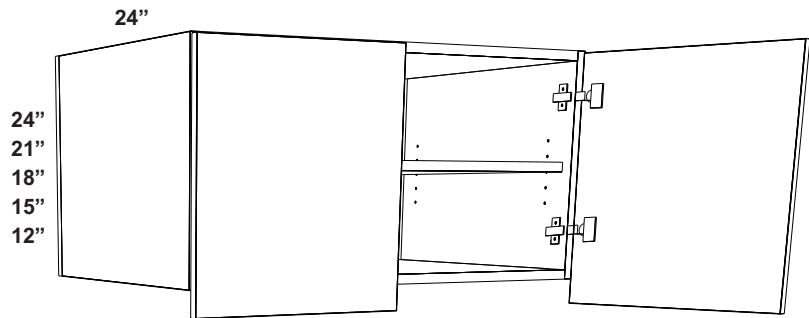
WL3021-24
WL3321-24
WL3621-24
WL3921-24

18" HIGH

WL3018-24
WL3318-24
WL3618-24
WL3918-24

15" HIGH

WL3015-24
WL3315-24
WL3615-24
WL3915-24

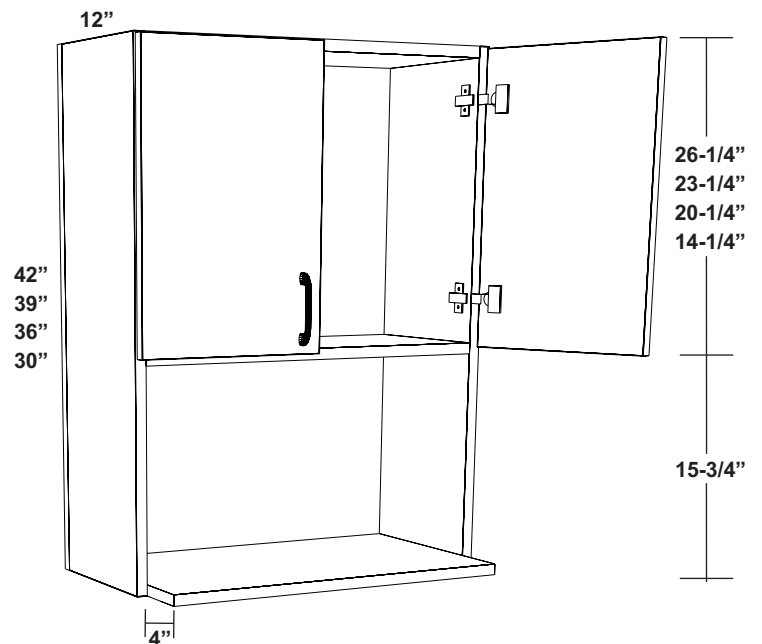


MICROWAVE WALL CABINETS

TWO DOOR 12" DEEP MICROWAVE WALL CABINETS WITH EXTENDED BOTTOM

42" and 39" high microwave cabinets have one adjustable shelf
 36" and 30" high microwave cabinets do not come with shelves
 42", 39", 36" and 30" high microwave cabinets have two hinges per door
 Extended bottom is 16" deep x 3/4" thick

CABINET OPENING		
MODEL	WIDTH	HEIGHT
MW2442	22-1/2"	14-1/2"
MW2742	25-1/2"	14-1/2"
MW3042	28-1/2"	14-1/2"
MW2439	22-1/2"	14-1/2"
MW2739	25-1/2"	14-1/2"
MW3039	28-1/2"	14-1/2"
MW2436	22-1/2"	14-1/2"
MW2736	25-1/2"	14-1/2"
MW3036	28-1/2"	14-1/2"
MW2430	22-1/2"	14-1/2"
MW2730	25-1/2"	14-1/2"
MW3030	28-1/2"	14-1/2"



42" HIGH

MW2442
 MW2742
 MW3042

36" HIGH

MW2436
 MW2736
 MW3036

39" HIGH

MW2439
 MW2739
 MW3039

30" HIGH

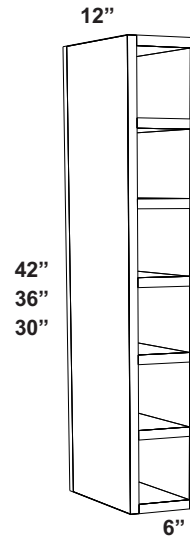
MW2430
 MW2730
 MW3030

WALL SPECIALTY ITEMS

WINE CUBES

Shelves are not adjustable.
Grain pattern runs length of long side, regardless of finish ordered.

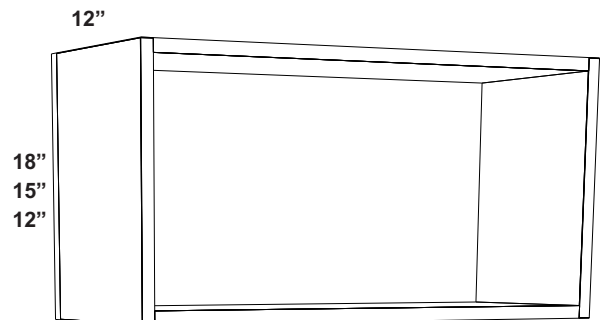
- WC42 holds 7 bottles
- WC36 holds 6 bottles
- WC30 holds 5 bottles



OPEN WALL CABINETS

Cabinets do not come with doors or shelves.
Cabinets do not have shelf holes.
Grain pattern runs length of long side, regardless of finish ordered.

- | 18" HIGH | 15" HIGH | 12" HIGH |
|----------|----------|----------|
| WOC2418 | WOC2415 | WOC2412 |
| WOC2718 | WOC2715 | WOC2712 |
| WOC3018 | WOC3015 | WOC3012 |
| WOC3318 | WOC3315 | WOC3312 |
| WOC3618 | WOC3615 | WOC3612 |



WALL BOOKCASES

48", 42", 36", 30", 24", and 21" WALL BOOKCASES

48", 42", and 39" high bookcases have three adjustable shelves
 36" and 30" high bookcases have two adjustable shelves
 24" and 21" high bookcases have one adjustable shelf
 Grain pattern runs length of long side, regardless of finish ordered

48" HIGH

BC2448
 BC2748
 BC3048
 BC3348
 BC3648

30" HIGH

BC2430
 BC2730
 BC3030
 BC3330
 BC3630

42" HIGH

BC2442
 BC2742
 BC3042
 BC3342
 BC3642

24" HIGH

BC2424
 BC2724
 BC3024
 BC3324
 BC3624

39" HIGH

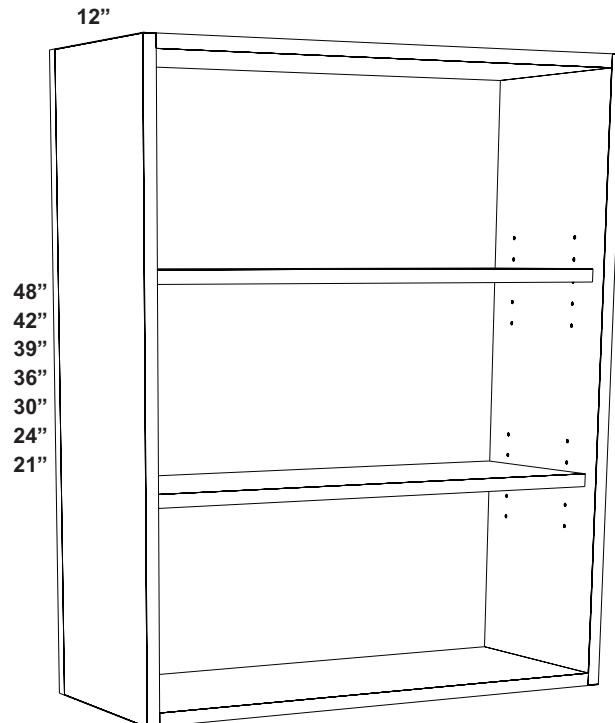
BC2439
 BC2739
 BC3039
 BC3339
 BC3639

21" HIGH

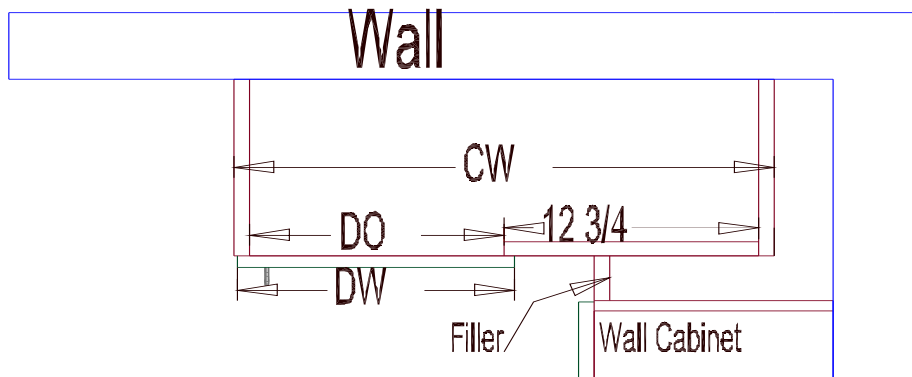
BC2421
 BC2721
 BC3021
 BC3321
 BC3621

36" HIGH

BC2436
 BC2736
 BC3036
 BC3336
 BC3636



BLIND WALL CABINET INSTRUCTIONS



BLIND WALL CABINETS BY WIDTH			
Cabinet	CW	DW	DO
BLW24__	24"	10 7/8"	9 3/4"
BLW27__	27"	13 7/8"	12 3/4"
BLW30__	30"	16 7/8"	15 3/4"
BLW33__	33"	19 7/8"	18 3/4"
BLW36__	36"	22 7/8"	21 3/4"
BLW39__	39"	25 7/8"	24 3/4"
BLIND CABINETS LEGEND			
CW	Cabinet Width		
DW	Door Width		
DO	Door Opening		

BASE CABINETS

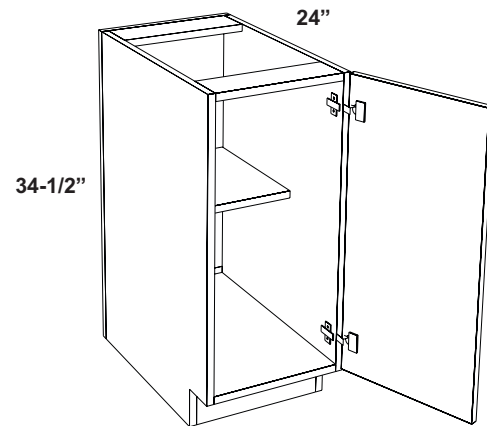


SINGLE DOOR BASE CABINETS

SINGLE DOOR FULL HEIGHT BASE CABINETS

One half-depth adjustable shelf

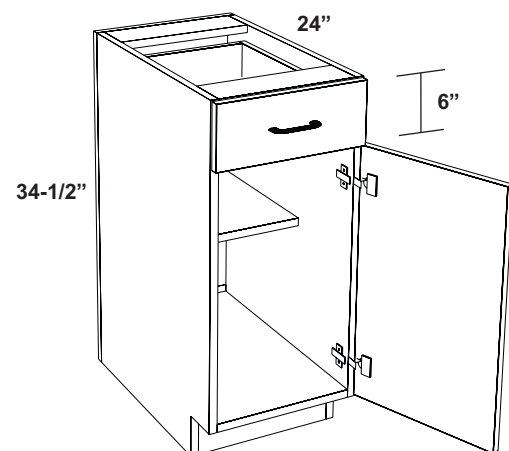
B09FH L or R
 B12FH L or R
 B15FH L or R
 B18FH L or R
 B21FH L or R
 B24FH_1 L or R



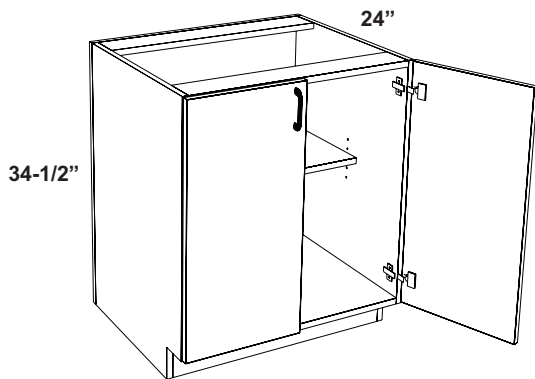
SINGLE DOOR AND DRAWER BASE CABINETS

One half-depth adjustable shelf
 One standard height drawer

B09 L or R
 B12 L or R
 B15 L or R
 B18 L or R
 B21 L or R
 B24_1 L or R



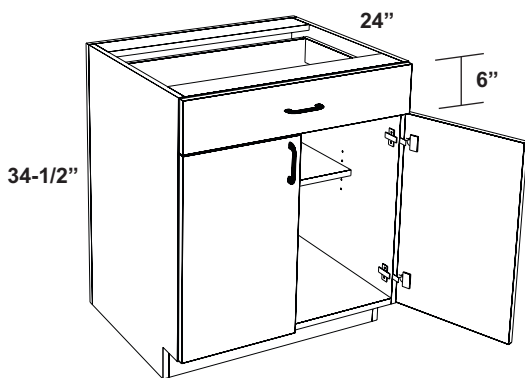
TWO DOOR BASE CABINETS



TWO DOOR FULL HEIGHT BASE CABINETS

One half-depth adjustable shelf

- B24FH
- B27FH
- B30FH
- B33FH
- B36FH
- B39FH



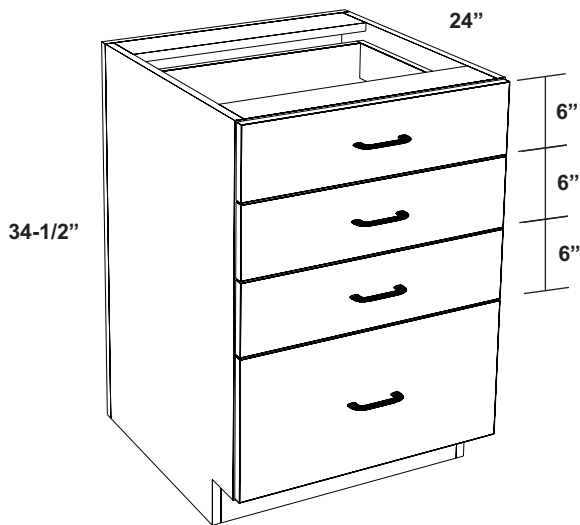
TWO DOOR AND DRAWER BASE CABINETS

One half-depth adjustable shelf
One standard height drawer

- B24
- B27
- B30
- B33
- B36
- B39



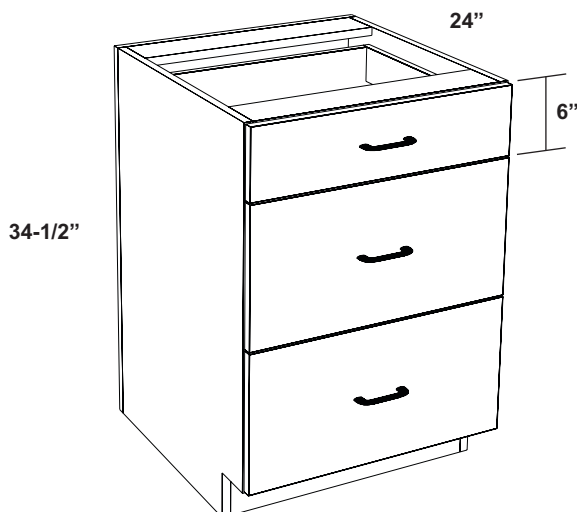
DRAWER BASE CABINETS



FOUR DRAWER BASE CABINETS

Three standard height drawers and one tall bottom drawer

- DB12-4
- DB15-4
- DB18-4
- DB21-4
- DB24-4
- DB27-4
- DB30-4
- DB33-4
- DB36-4



THREE DRAWER BASE CABINETS

One standard height drawer and two equal height bottom drawers

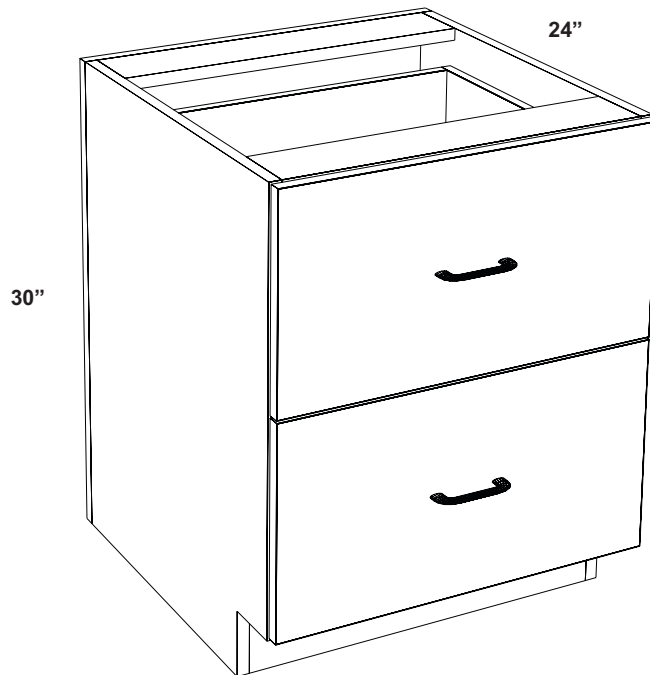
- DB12-3
- DB15-3
- DB18-3
- DB21-3
- DB24-3
- DB27-3
- DB30-3
- DB33-3
- DB36-3

DRAWER BASE CABINETS

TWO DRAWER BASE CABINETS

Two equal height drawers

- DB12-2
- DB15-2
- DB18-2
- DB21-2
- DB24-2
- DB27-2
- DB30-2
- DB33-2
- DB36-2

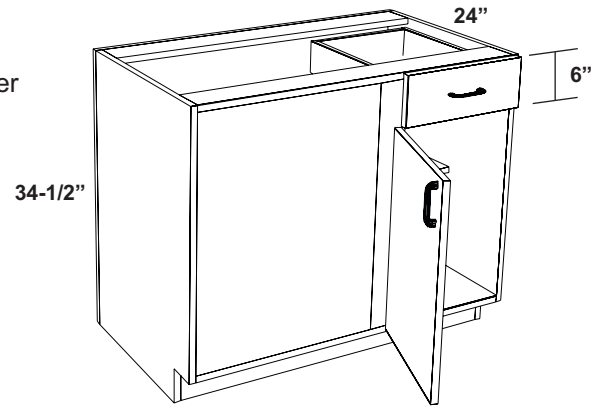


BLIND AND CORNER BASE CABINETS

SINGLE DOOR AND DRAWER BLIND BASE CABINETS

One half-depth adjustable shelf
Specify L or R blind panel location
See page 45 for blind cabinet installation instructions
Filler must be ordered separately, see page 87. Allow 27" to turn corner

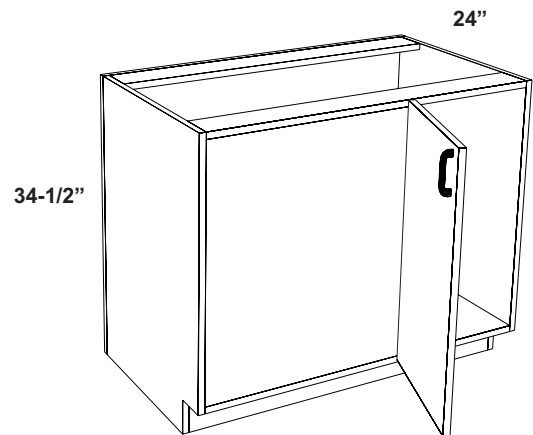
- BLB36 L or R
- BLB39 L or R
- BLB42 L or R
- BLB45 L or R
- BLB48 L or R



SINGLE DOOR FULL HEIGHT BLIND BASE CABINETS

One half-depth adjustable shelf
Specify L or R blind panel location
See page 45 for blind cabinet installation instructions
Filler must be ordered separately, see page 87. Allow 27" to turn corner

- BLB36FH L or R
- BLB39FH L or R
- BLB42FH L or R
- BLB45FH L or R
- BLB48FH L or R

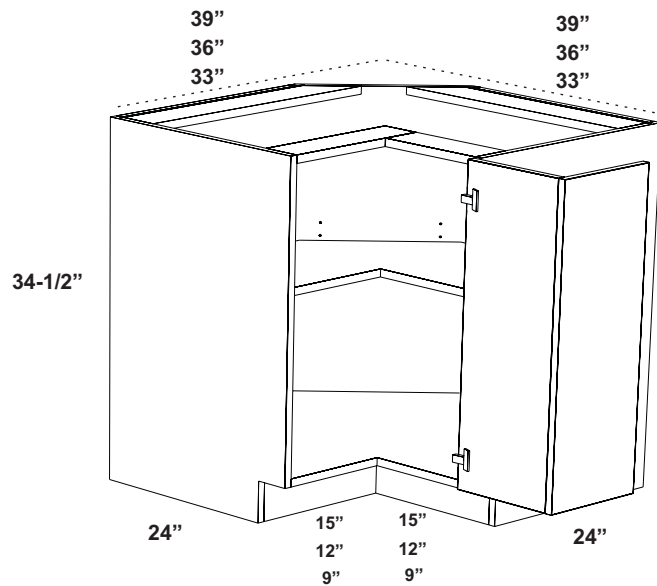


BLIND AND CORNER BASE CABINETS

90° CORNER BASE CABINET

One adjustable shelf

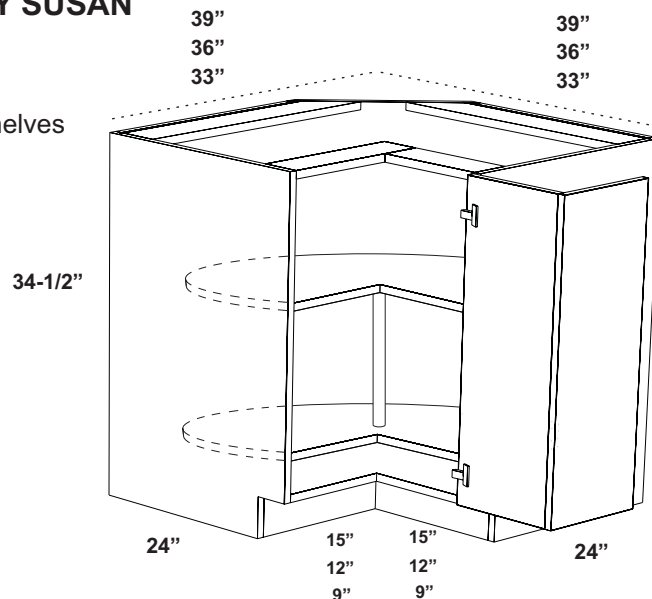
BER33 L or R
 BER36 L or R
 BER39 L or R



90° CORNER BASE CABINETS WITH LAZY SUSAN

One kidney-shaped lazy susan with two adjustable shelves

BERS33 L or R
 BERS36 L or R
 BERS39 L or R

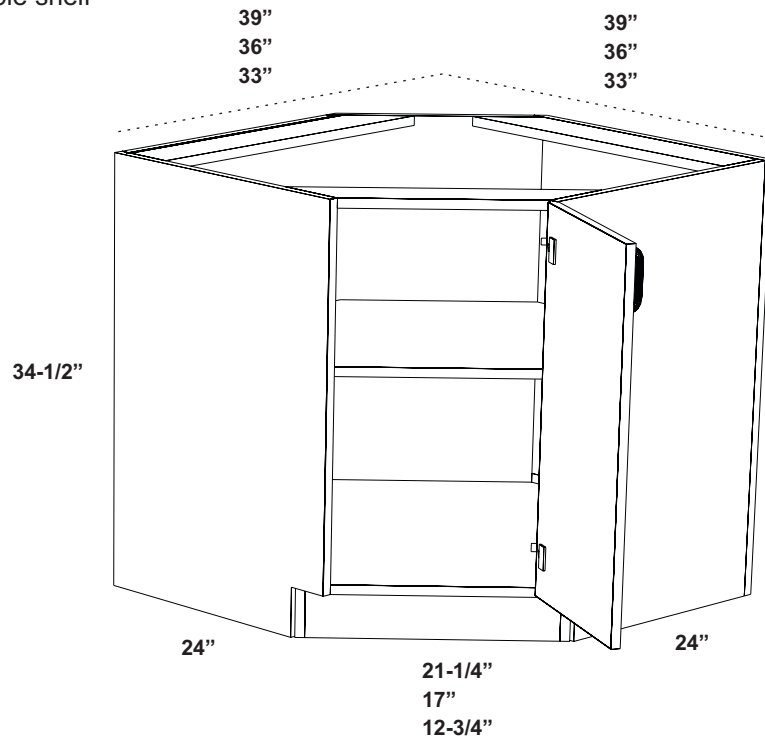


BLIND AND CORNER BASE CABINETS

45° CORNER BASE CABINETS

Cabinets come with one half-depth adjustable shelf

BCD33 L or R
 BCD36 L or R
 BCD39 L or R



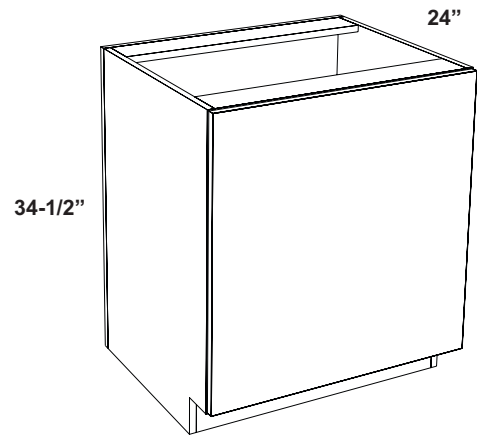
SPECIALITY BASE CABINETS

BASE OVEN CABINETS

For under counter installation of single oven
Cabinets come with full coverage panel
On-site trimming required based upon specs of oven;
Base oven cabinets do not come with matching interior

BOC27
BOC30

MAXIMUM CUT OUT DIMENSIONS		
MODEL	WIDTH MAXIMUM	HEIGHT MAXIMUM
BOC27	25-1/2"	29"
BOC30	28-1/2"	29"

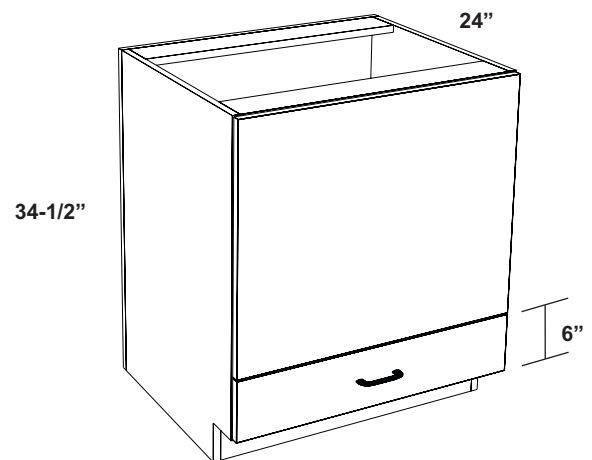


SINGLE DRAWER MICROWAVE BASE CABINETS

For under counter installation of microwave
Cabinets come with full coverage panel
Includes one standard drawer
On-site trimming required based upon specs of microwave;
Microwave base cabinets do not come with matching interior

BOD27
BOD30

MAXIMUM CUT OUT DIMENSIONS		
MODEL	WIDTH MAXIMUM	HEIGHT MAXIMUM
BOD27	25-1/2"	23-1/4"
BOD30	28-1/2"	23-1/4"

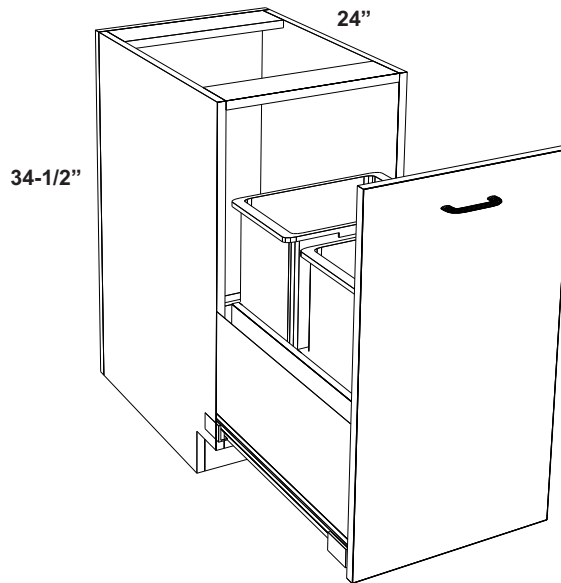


SPECIALITY BASE CABINETS

FULL HEIGHT BASE CABINET WITH TRASHCAN

Opens as drawer
15" wide cabinets come with one 35 qt waste bin
18" wide cabinets come with two 35 qt waste bins

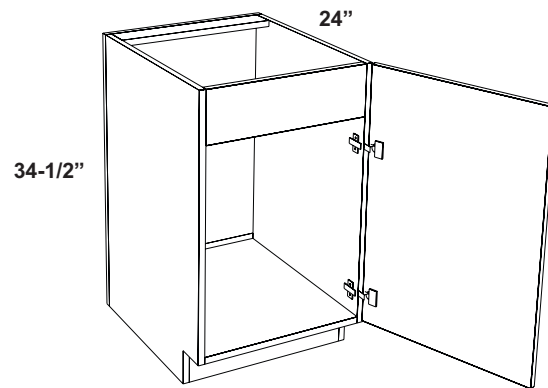
B15TKS
B18TKD



SINK BASE CABINETS

SINGLE DOOR FULL HEIGHT SINK BASE CABINETS

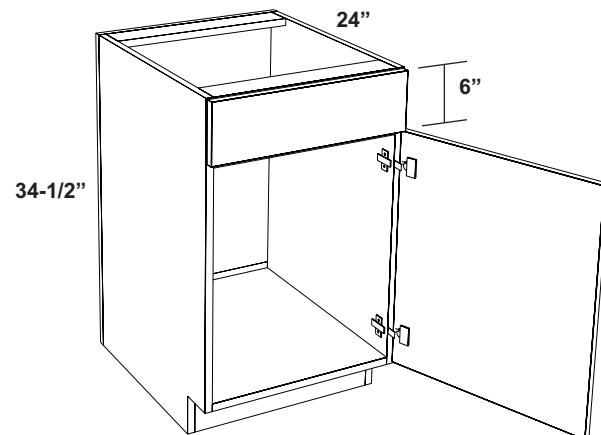
SB18FH L or R
SB21FH L or R
SB24FH_1 L or R



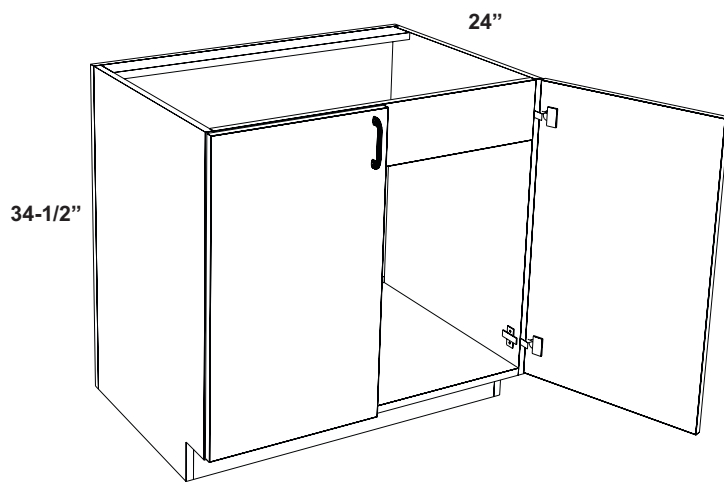
SINGLE DOOR SINK BASE CABINETS

False drawer front

SB18 L or R
SB21 L or R
SB24_1 L or R

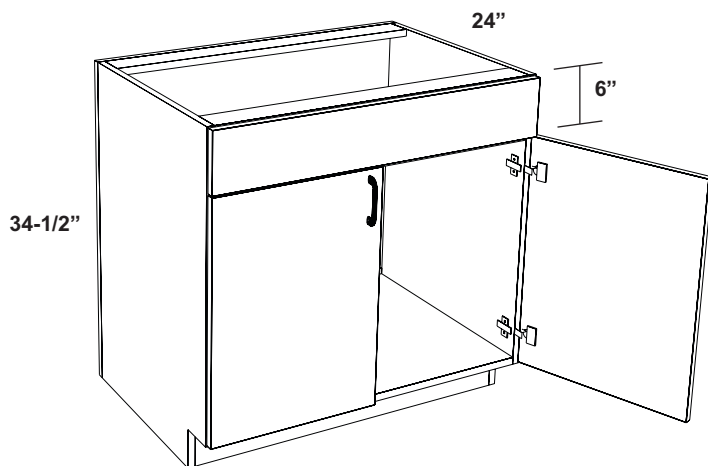


SINK BASE CABINETS



TWO DOOR FULL HEIGHT SINK BASE CABINETS

- SB24FH
- SB27FH
- SB30FH
- SB33FH
- SB36FH
- SB39FH
- SB42FH
- SB45FH
- SB48FH



TWO DOOR SINK BASE CABINETS

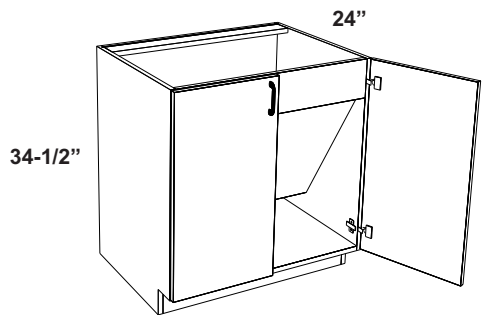
False drawer front

- SB24
- SB27
- SB30
- SB33
- SB36
- SB39
- SB42
- SB45
- SB48

SINK BASE CABINETS

TWO DOOR FULL HEIGHT SINK BASE CABINET WITH REMOVABLE FRONT

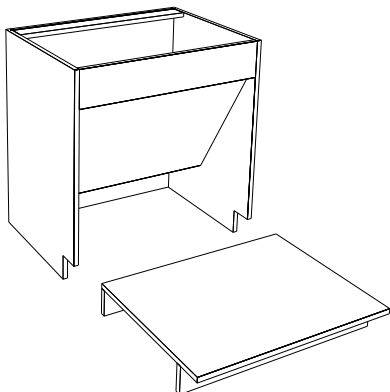
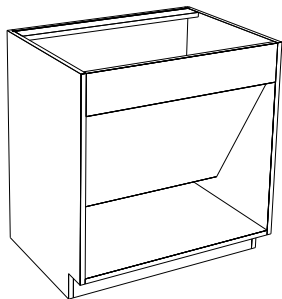
Removable plumbing skirt to ease access for plumbing installation and repair, matching exterior finish



ESBRB31.5FH
ESBRB33FH
ESBRB36FH

HOW TO REMOVE CABINET FRONT & BOTTOM

1. Remove both doors.
2. Lift the bottom upwards and remove the bottom through the front opening

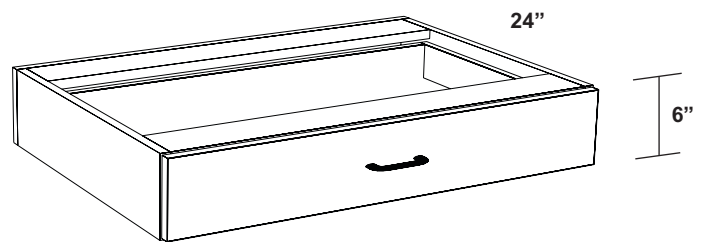


BASE SPECIALTY ITEMS

SINGLE DESK CABINET DRAWERS

One 6" high desk drawer

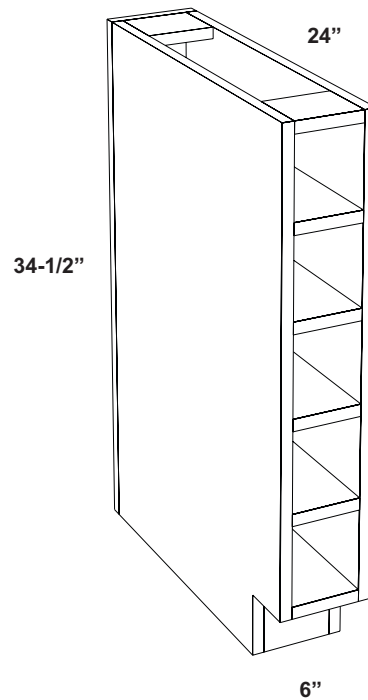
EDD30
EDD36



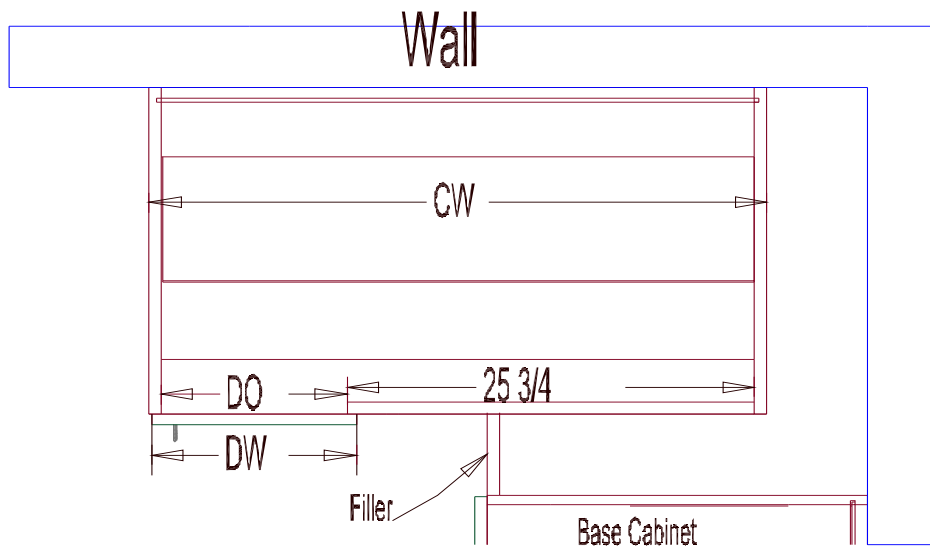
BASE WINE CABINET

Holds five bottles of wine
Matching interior
Shelves are not adjustable
Grain pattern runs vertically regardless of finish ordered

EBWC6



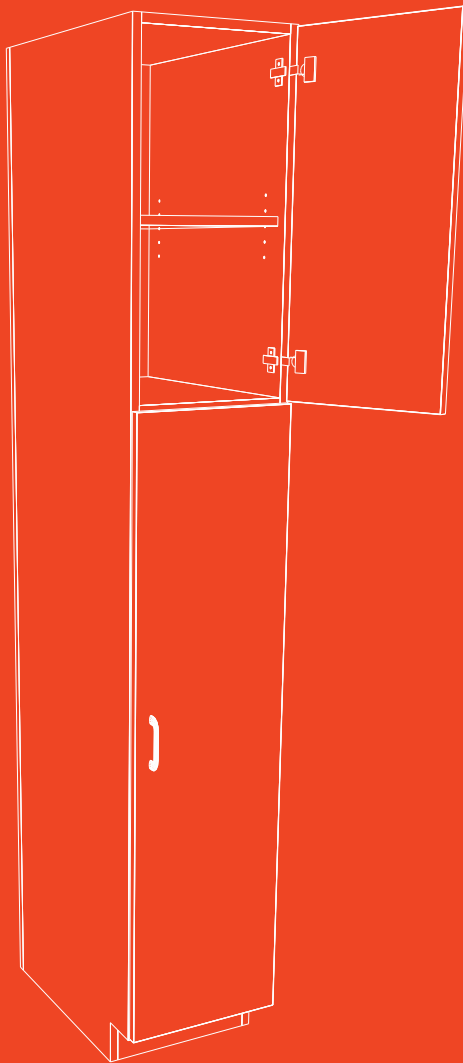
BLIND BASE CABINET INSTRUCTIONS



BLIND BASE CABINETS BY WIDTH			
Cabinet	CW	DW	DO
BLB36	36"	9 15/16"	8 3/4"
BLB39	39"	12 15/16"	11 3/4"
BLB42	42"	15 15/16"	14 3/4"
BLB45	45"	18 15/16"	17 3/4"
BLB48	48"	21 15/16"	20 3/4"

BLIND CABINETS LEGEND	
CW	Cabinet Width
DW	Door Width
DO	Door Opening

TALL CABINETS



TALL UTILITY CABINETS

96", 93", 90" or 84" HIGH × 12" or 24" DEEP SINGLE DOOR TALL UTILITY CABINETS

Upper section on 96", 93" and 90" high cabinets has one shelf
 Upper section on 84" high cabinets has no shelves
 Lower section of all tall cabinets has two shelves
 Upper section on all cabinets has two hinges per door
 Lower section of all cabinets has three hinges per door

12" DEEP UTILITY CABINETS

12" WIDE

TU1296-12 L or R
 TU1293-12 L or R
 TU1290-12 L or R
 TU1284-12 L or R

15" WIDE

TU1596-12 L or R
 TU1593-12 L or R
 TU1590-12 L or R
 TU1584-12 L or R

18" WIDE

TU1896-12 L or R
 TU1893-12 L or R
 TU1890-12 L or R
 TU1884-12 L or R

24" DEEP UTILITY CABINETS

12" WIDE

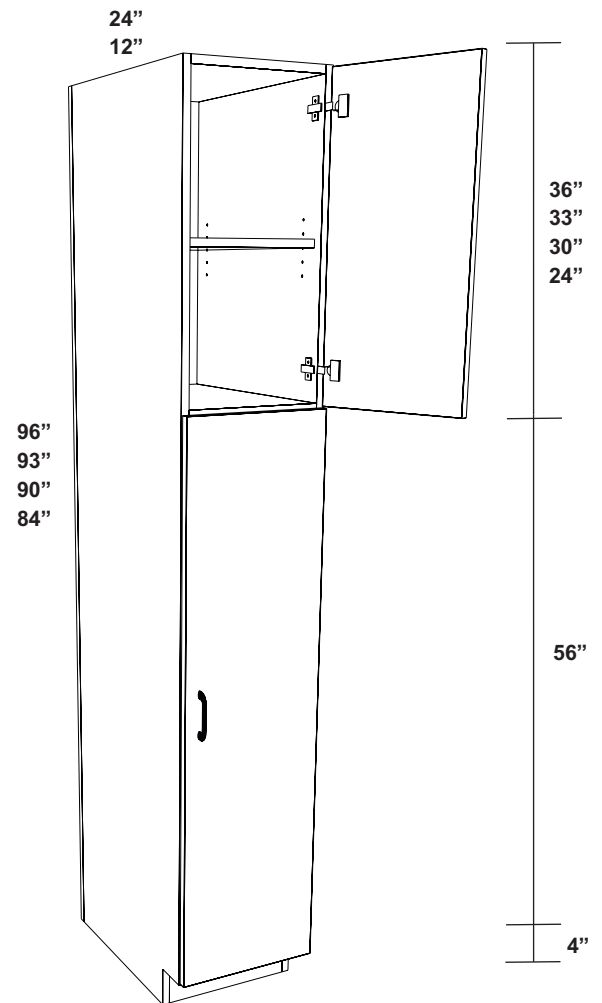
TU1296-24 L or R
 TU1293-24 L or R
 TU1290-24 L or R
 TU1284-24 L or R

15" WIDE

TU1596-24 L or R
 TU1593-24 L or R
 TU1590-24 L or R
 TU1584-24 L or R

18" WIDE

TU1896-24 L or R
 TU1893-24 L or R
 TU1890-24 L or R
 TU1884-24 L or R



TALL UTILITY CABINETS

96", 93", 90" or 84" HIGH × 12" or 24" DEEP TWO DOOR TALL UTILITY CABINETS

Upper section on 96", 93" and 90" high cabinets has one shelf
 Upper section on 84" high cabinets has no shelves
 Lower section of all tall cabinets has two shelves
 Upper section on all cabinets has two hinges per door
 Lower section of all cabinets has three hinges per door

12" DEEP UTILITY CABINETS

24" WIDE

TU2496-12
 TU2493-12
 TU2490-12
 TU2484-12

30" WIDE

TU3096-12
 TU3093-12
 TU3090-12
 TU3084-12

36" WIDE

TU3696-12
 TU3693-12
 TU3690-12
 TU3684-12

24" DEEP UTILITY CABINETS

24" WIDE

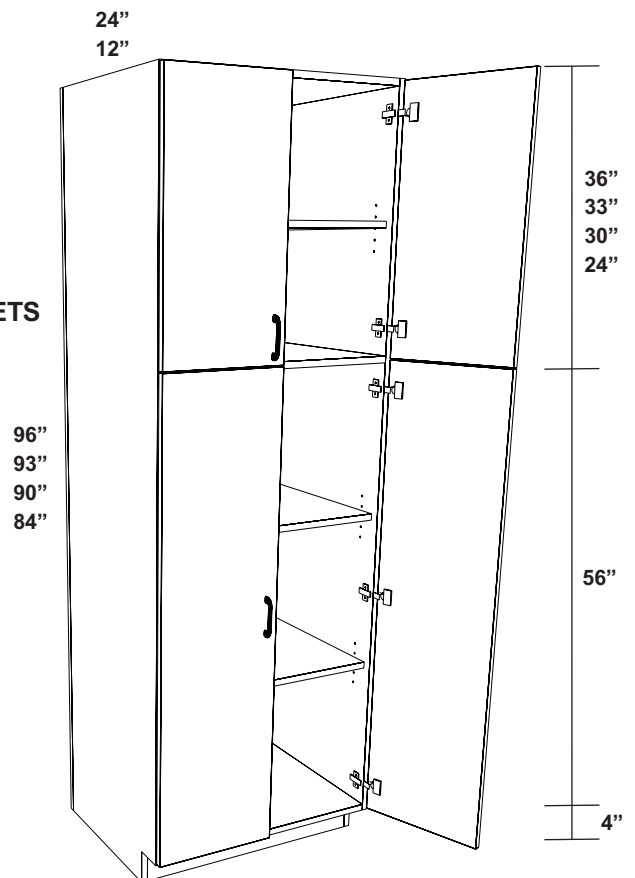
TU2496-24
 TU2493-24
 TU2490-24
 TU2484-24

30" WIDE

TU3096-24
 TU3093-24
 TU3090-24
 TU3084-24

36" WIDE

TU3696-24
 TU3693-24
 TU3690-24
 TU3684-24



TALL UTILITY CABINETS

96", 93", 90" or 84" HIGH × 12" or 24" DEEP SINGLE DOOR TALL INVERTED UTILITY CABINETS

Upper section on all tall cabinets has two shelves
 Lower section of all tall cabinets has one shelf
 Upper section on all cabinets has three hinges per door
 Lower section of all cabinets has two hinges per door

12" DEEP INVERTED UTILITY CABINETS

12" WIDE

ITU1296-12 L or R
 ITU1293-12 L or R
 ITU1290-12 L or R
 ITU1284-12 L or R

15" WIDE

ITU1596-12 L or R
 ITU1593-12 L or R
 ITU1590-12 L or R
 ITU1584-12 L or R

18" WIDE

ITU1896-12 L or R
 ITU1893-12 L or R
 ITU1890-12 L or R
 ITU1884-12 L or R

24" DEEP INVERTED UTILITY CABINETS

12" WIDE

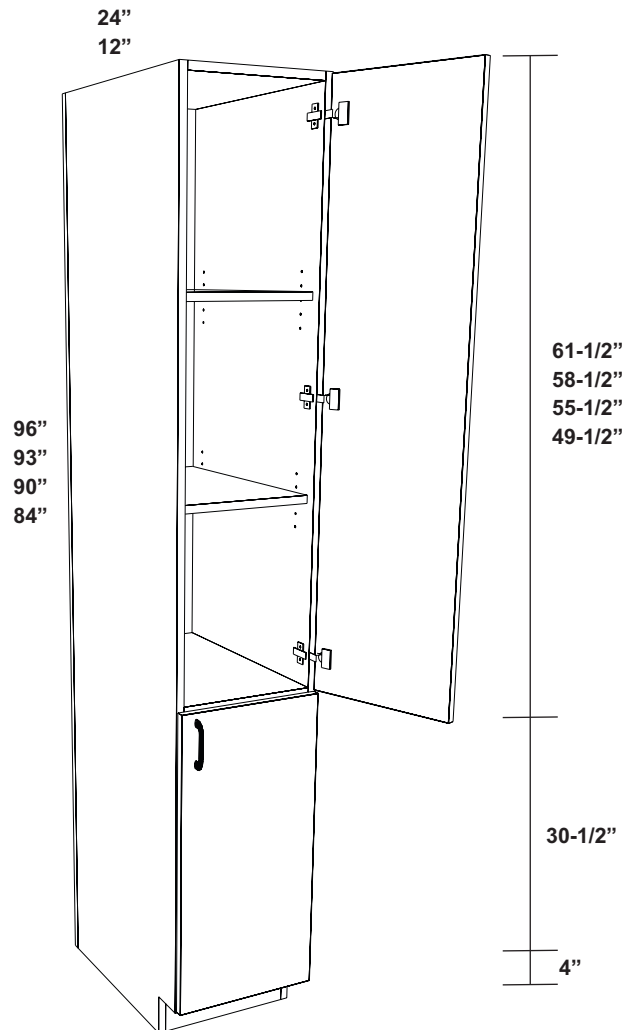
ITU1296-24 L or R
 ITU1293-24 L or R
 ITU1290-24 L or R
 ITU1284-24 L or R

15" WIDE

ITU1596-24 L or R
 ITU1593-24 L or R
 ITU1590-24 L or R
 ITU1584-24 L or R

18" WIDE

ITU1896-24 L or R
 ITU1893-24 L or R
 ITU1890-24 L or R
 ITU1884-24 L or R



TALL UTILITY CABINETS

96", 93", 90" or 84" HIGH × 12" or 24" DEEP TWO DOOR TALL INVERTED UTILITY CABINETS

Upper section on all tall cabinets has two shelves
 Lower section of all tall cabinets has one shelf
 Upper section on all cabinets has three hinges per door
 Lower section of all cabinets has two hinges per door

12" DEEP INVERTED UTILITY CABINETS

24" WIDE

ITU2496-12 L or R
 ITU2493-12 L or R
 ITU2490-12 L or R
 ITU2484-12 L or R

30" WIDE

ITU3096-12 L or R
 ITU3093-12 L or R
 ITU3090-12 L or R
 ITU3084-12 L or R

36" WIDE

ITU3696-12 L or R
 ITU3693-12 L or R
 ITU3690-12 L or R
 ITU3684-12 L or R

24" DEEP INVERTED UTILITY CABINETS

24" WIDE

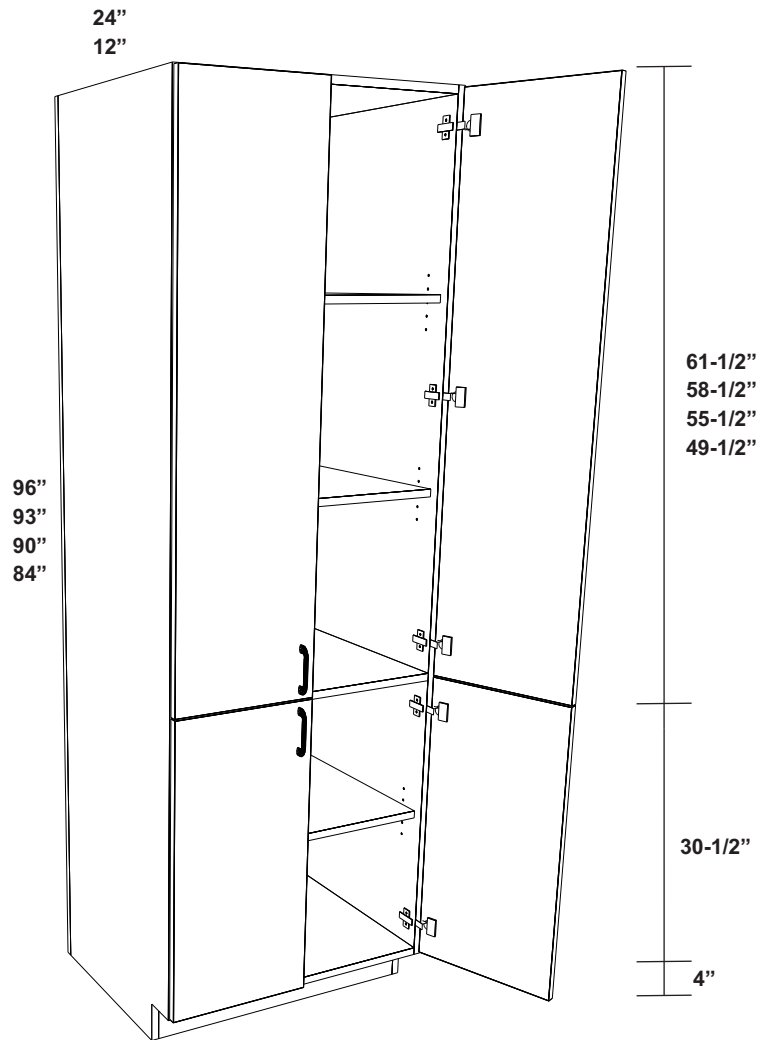
ITU2496-24 L or R
 ITU2493-24 L or R
 ITU2490-24 L or R
 ITU2484-24 L or R

30" WIDE

ITU3096-24 L or R
 ITU3093-24 L or R
 ITU3090-24 L or R
 ITU3084-24 L or R

36" WIDE

ITU3696-24 L or R
 ITU3693-24 L or R
 ITU3690-24 L or R
 ITU3684-24 L or R



TALL LINEN CABINETS

96", 93", 90" or 84" HIGH × 12" or 24" DEEP SINGLE DOOR TALL LINEN CABINETS

Upper section on all tall cabinets has two shelves
 Lower section of all tall cabinets has two shelves
 Upper section on all cabinets has three hinges per door
 Lower section of all cabinets has three hinges per door

12" DEEP LINEN CABINETS

12" WIDE

TL1296-12 L or R
 TL1293-12 L or R
 TL1290-12 L or R
 TL1284-12 L or R

15" WIDE

TL1596-12 L or R
 TL1593-12 L or R
 TL1590-12 L or R
 TL1584-12 L or R

18" WIDE

TL1896-12 L or R
 TL1893-12 L or R
 TL1890-12 L or R
 TL1884-12 L or R

24" DEEP LINEN CABINETS

12" WIDE

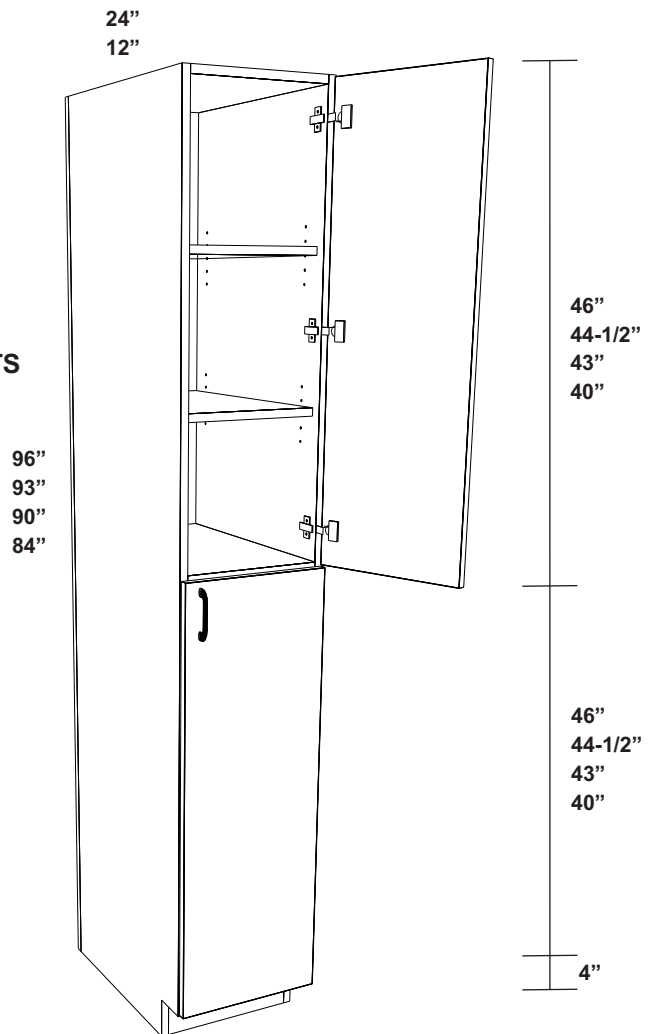
TL1296-24 L or R
 TL1293-24 L or R
 TL1290-24 L or R
 TL1284-24 L or R

15" WIDE

TL1596-24 L or R
 TL1593-24 L or R
 TL1590-24 L or R
 TL1584-24 L or R

18" WIDE

TL1896-24 L or R
 TL1893-24 L or R
 TL1890-24 L or R
 TL1884-24 L or R



TALL LINEN CABINETS

96", 93", 90" or 84" HIGH × 12" or 24" DEEP TWO DOOR TALL LINEN CABINETS

Upper section on all tall cabinets has two shelves
 Lower section of all tall cabinets has two shelves
 Upper section on all cabinets has three hinges per door
 Lower section of all cabinets has three hinges per door

12" DEEP CABINETS

24" WIDE

TL2496-12 L or R
 TL2493-12 L or R
 TL2490-12 L or R
 TL2484-12 L or R

30" WIDE

TL3096-12 L or R
 TL3093-12 L or R
 TL3090-12 L or R
 TL3084-12 L or R

36" WIDE

TL3696-12 L or R
 TL3693-12 L or R
 TL3690-12 L or R
 TL3684-12 L or R

24" DEEP CABINETS

24" WIDE

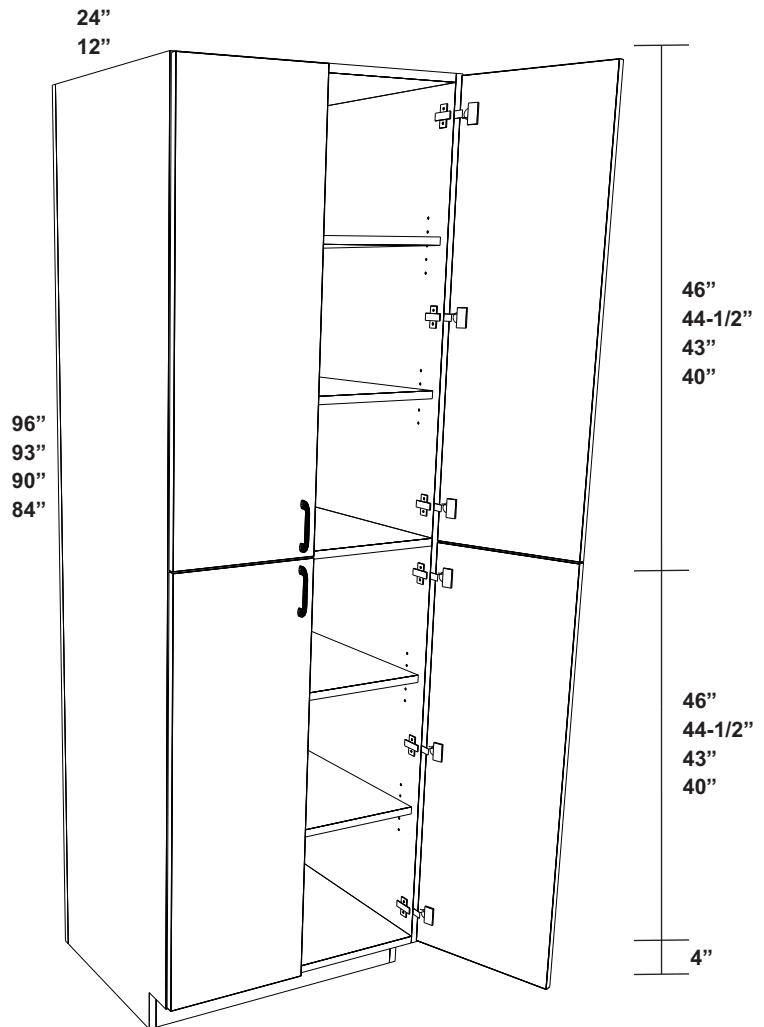
TL2496-24 L or R
 TL2493-24 L or R
 TL2490-24 L or R
 TL2484-24 L or R

30" WIDE

TL3096-24 L or R
 TL3093-24 L or R
 TL3090-24 L or R
 TL3084-24 L or R

36" WIDE

TL3696-24 L or R
 TL3693-24 L or R
 TL3690-24 L or R
 TL3684-24 L or R



OVEN CABINETS

96", 93", 90" or 84" HIGH × 24" DEEP TWO DOOR AND THREE DRAWER SINGLE OVEN CABINETS

96" and 93" high oven cabinets have two adjustable shelves
 90" and 84" high oven cabinets have one adjustable shelf
 Upper section has two hinges per door
 Oven cabinets have one standard height and two equal height drawers
 Oven cabinet comes with full coverage panel
 On-site trimming required based oven specifications

27" WIDE

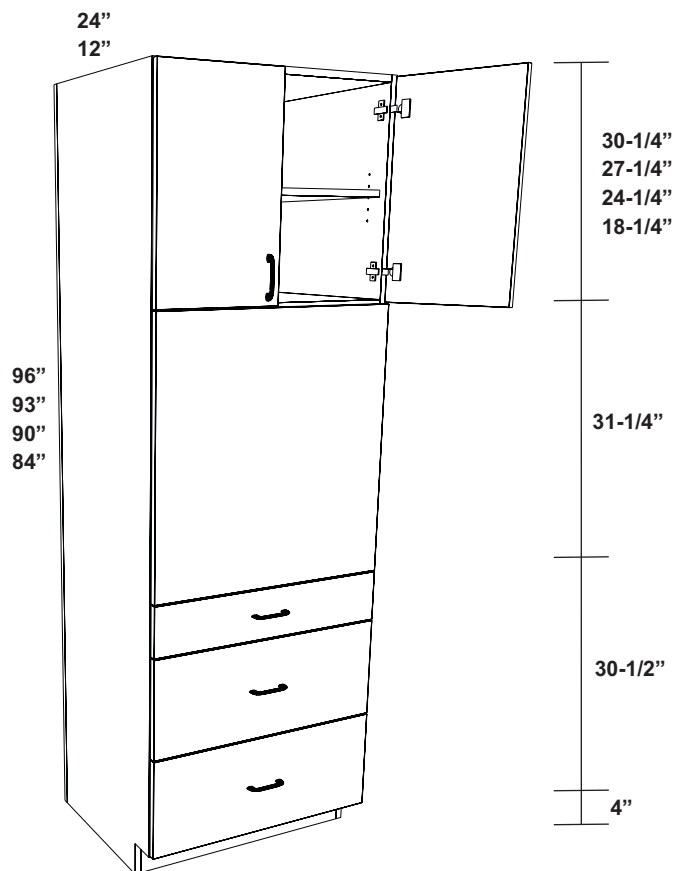
- OVS2796-24
- OVS2793-24
- OVS2790-24
- OVS2784-24

30" WIDE

- OVS3096-24
- OVS3093-24
- OVS3090-24
- OVS3084-24

33" WIDE

- OVS3396-24
- OVS3393-24
- OVS3390-24
- OVS3384-24



MAXIMUM CUT OUT DIMENSIONS		
MODEL	WIDTH MAXIMUM	HEIGHT MAXIMUM
OVS27__-24	25-1/2"	30-5/8"
OVS30__-24	28-1/2"	30-5/8"
OVS33__-24	31-1/2"	30-5/8"

OVEN CABINETS

96", 93", 90" or 84" HIGH × 24" DEEP TWO DOOR AND SINGLE DRAWER DOUBLE OVEN CABINETS

96" and 93" high oven cabinets have two adjustable shelves
 90" and 84" high oven cabinets have one adjustable shelf
 Upper section has two hinges per door
 Oven cabinets have one single drawer
 Oven cabinet comes with full coverage panel
 On-site trimming required based upon oven specifications

27" WIDE

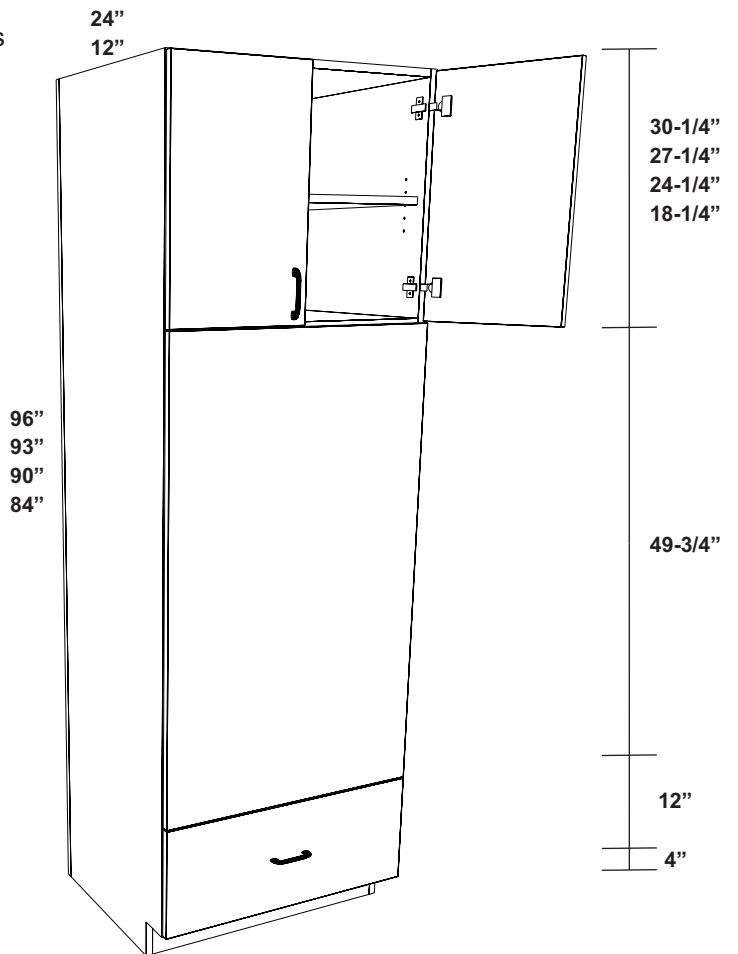
- OVD2796-24
- OVD2793-24
- OVD2790-24
- OVD2784-24

30" WIDE

- OVD3096-24
- OVD3093-24
- OVD3090-24
- OVD3084-24

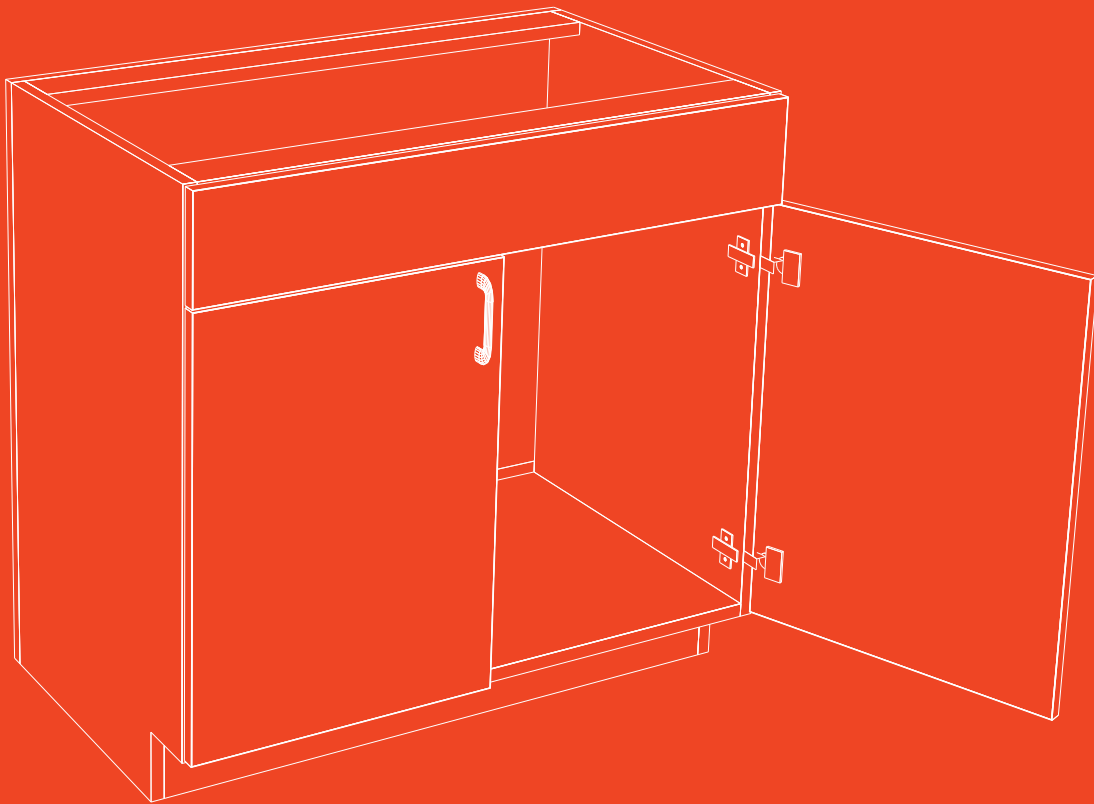
33" WIDE

- OVD3396-24
- OVD3393-24
- OVD3390-24
- OVD3384-24

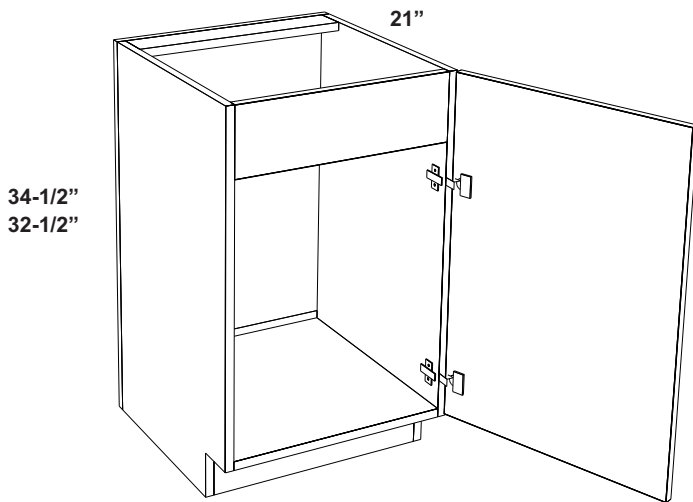


MAXIMUM CUT OUT DIMENSIONS		
MODEL	WIDTH MAXIMUM	HEIGHT MAXIMUM
OVD27__-24	25-1/2"	48-7/8"
OVD30__-24	28-1/2"	48-7/8"
OVD33__-24	31-1/2"	48-7/8"

VANITY CABINETS



VANITY SINK BASE CABINETS



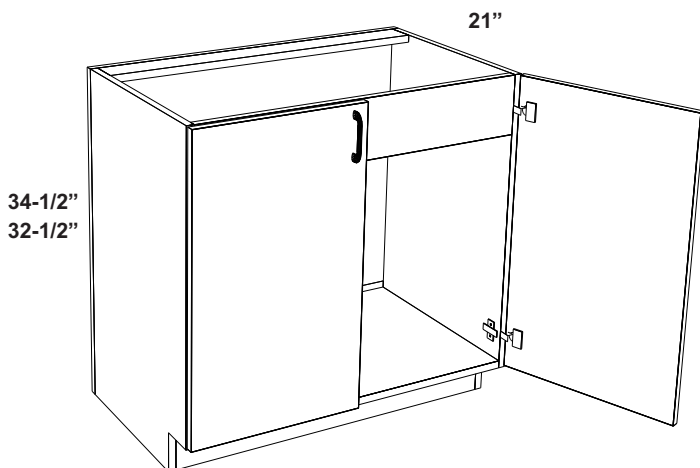
SINGLE DOOR FULL HEIGHT VANITY SINK BASE CABINETS

32 1/2" HIGH CABINETS

- VFD18 L or R
- VFD21 L or R
- VFD24_1 L or R

34 1/2" HIGH CABINETS

- VHFD18 L or R
- VHFD21 L or R
- VHFD24_1 L or R



TWO DOOR FULL HEIGHT VANITY SINK BASE CABINETS

32 1/2" HIGH CABINETS

- VFD24
- VFD27
- VFD30
- VFD33
- VFD36
- VFD39
- VFD42
- VFD48

34 1/2" HIGH CABINETS

- VHFD24
- VHFD27
- VHFD30
- VHFD36
- VHFD39
- VHFD42
- VHFD48

VANITY SINK BASE CABINETS

SINGLE DOOR VANITY SINK BASE CABINETS

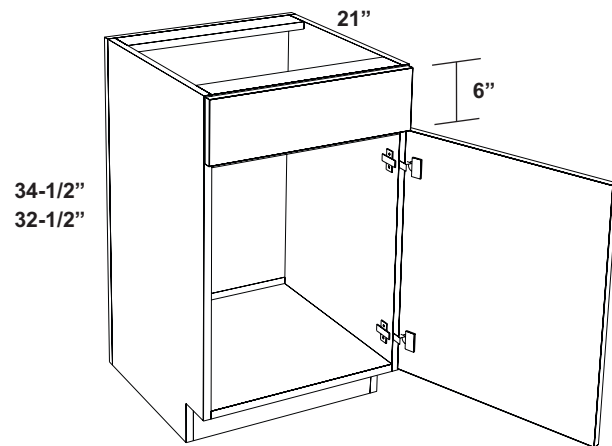
False drawer front

32 1/2" HIGH CABINETS

- V18 L or R
- V21 L or R
- V24_1 L or R

34 1/2" HIGH CABINETS

- V18H L or R
- V21H L or R
- V24H_1 L or R



TWO DOOR VANITY SINK BASE CABINETS

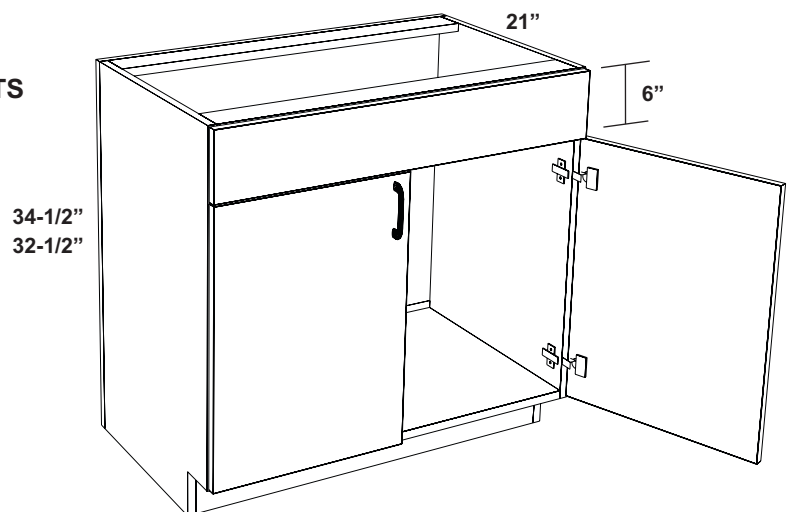
False drawer front

32 1/2" HIGH CABINETS

- V24
- V27
- V30
- V33
- V36
- V39
- V42
- V48

34 1/2" HIGH CABINETS

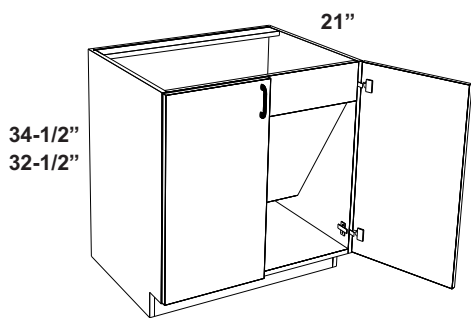
- V24H
- V27H
- V30H
- V33H
- V36H
- V39H
- V42H
- V48H



VANITY SINK BASE CABINETS

TWO DOOR FULL HEIGHT VANITY SINK BASE CABINET WITH REMOVABLE FRONT

Removable plumbing skirt to ease access for plumbing installation and repair, matching exterior finish



34 1/2" HIGH CABINETS

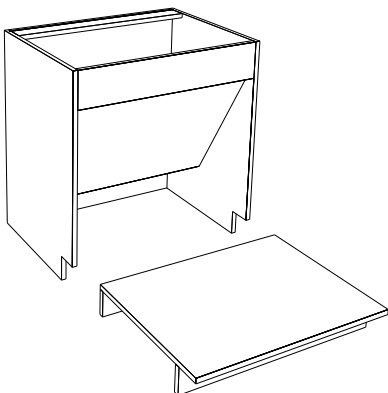
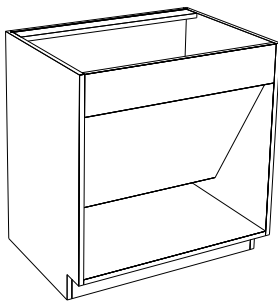
ESBRB31.5FH-21
ESBRB33FH-21
ESBRB36FH-21

32 1/2" HIGH CABINETS

HAESBRB31.5FH-21
HAESBRB33FH-21
HAESBRB36FH-21

HOW TO REMOVE CABINET FRONT & BOTTOM

1. Remove both doors.
2. Lift the bottom upwards and remove the bottom through the front opening



VANITY DRAWER SINK BASE CABINETS

VANITY DRAWER SINK BASE CABINET

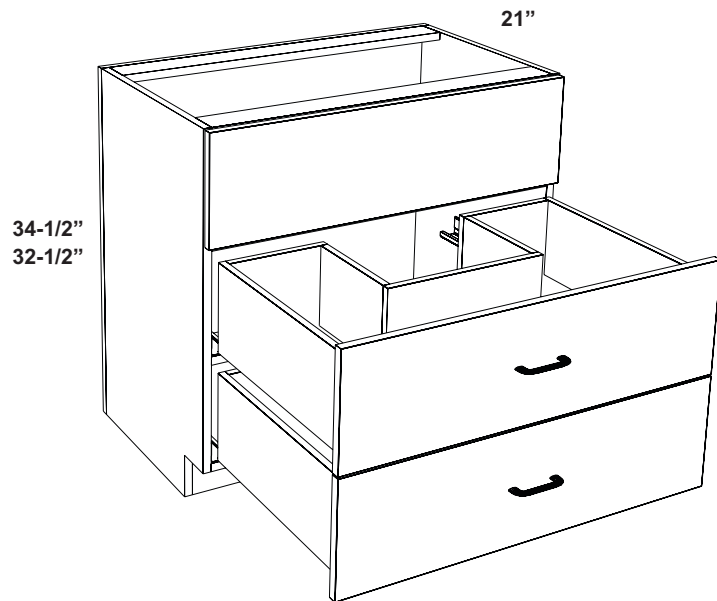
- One false front on top
- One U-shaped drawer in middle
- One standard drawer on bottom

32 1/2" HIGH CABINETS

- VSDBU27-2
- VSDBU30-2
- VSDBU33-2
- VSDBU36-2

34 1/2" HIGH CABINETS

- VSDBUH27-2
- VSDBUH30-2
- VSDBUH33-2
- VSDBUH36-2



VANITY BASE CABINETS

SINGLE DOOR AND DRAWER VANITY BASE CABINETS

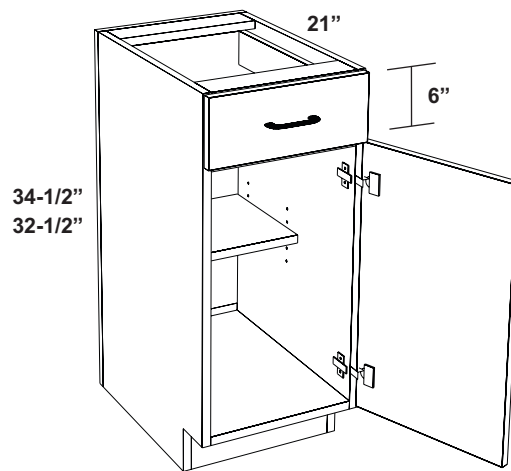
One half-depth adjustable shelf

32 1/2" HIGH CABINETS

- VB12 L or R
- VB15 L or R
- VB18 L or R
- VB21 L or R
- VB24_1 L or R

34 1/2" HIGH CABINETS

- VB12H L or R
- VB15H L or R
- VB18H L or R
- VB21H L or R
- VB24H_1 L or R



TWO-DOOR AND DRAWER VANITY BASE CABINETS

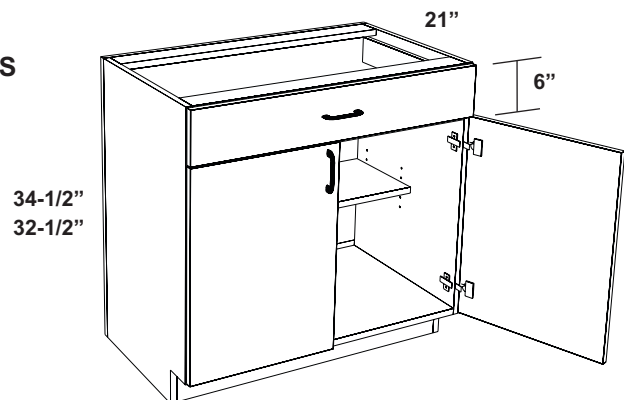
One half-depth adjustable shelf

32 1/2" HIGH CABINETS

- VB24
- VB27
- VB30
- VB33
- VB36
- VB39
- VB42
- VB48

34 1/2" HIGH CABINETS

- VB24H
- VB27H
- VB30H
- VB33H
- VB36H
- VB39H
- VB42H
- VB48H



VANITY DRAWER BASE CABINETS

THREE DRAWER VANITY BASE CABINETS

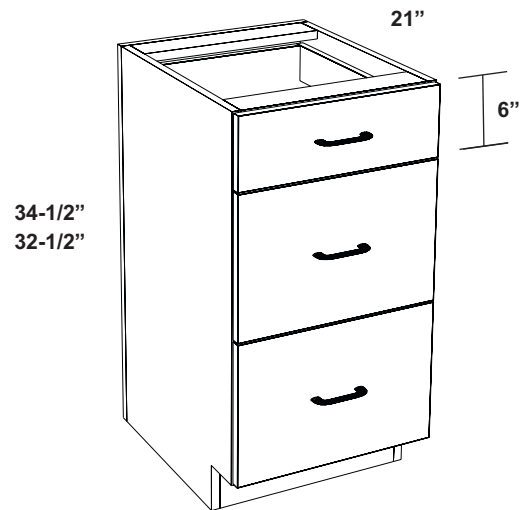
Cabinets have one standard height drawer and two equal height drawers

32 1/2" HIGH CABINETS

VD12-3
VD15-3
VD18-3
VD21-3
VD24-3

34 1/2" HIGH CABINETS

VDH12-3
VDH15-3
VDH18-3
VDH21-3
VDH24-3



FOUR DRAWER VANITY BASE CABINETS

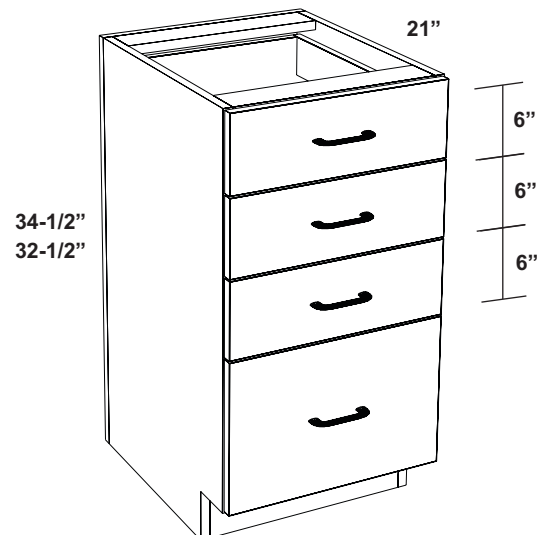
Cabinets have three standard height drawers and one tall drawer

32 1/2" HIGH CABINETS

VD12-4
VD15-4
VD18-4
VD21-4
VD24-4

34 1/2" HIGH CABINETS

VDH12-4
VDH15-4
VDH18-4
VDH21-4
VDH24-4

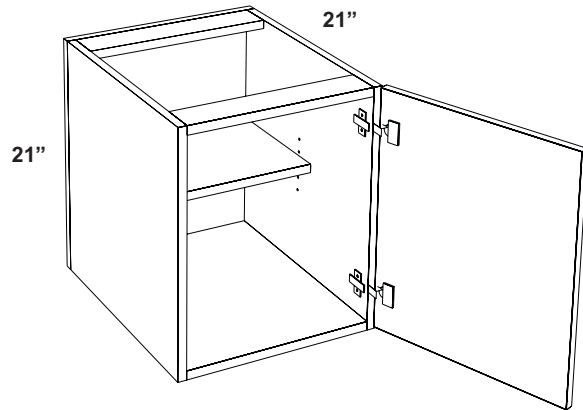


FLOATING VANITY BASE CABINETS

SINGLE DOOR FULL HEIGHT FLOATING VANITY BASE CABINETS

Comes with one half-depth adjustable shelf
Comes with 2 metal brackets, see page 69
for installation instructions

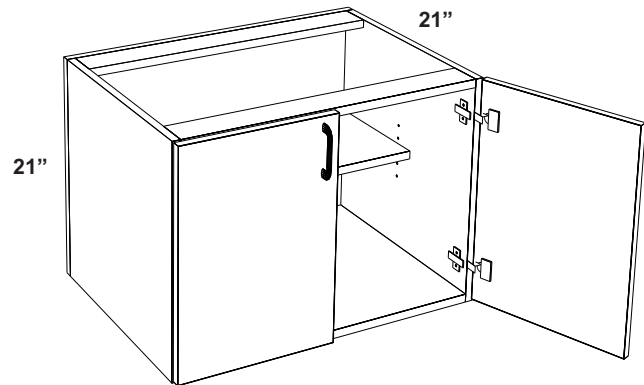
FV1221FH L or R
FV1521FH L or R
FV1821FH L or R
FV2121FH L or R
FV2421FH_1 L or R



TWO DOOR FULL HEIGHT FLOATING VANITY BASE CABINETS

Comes with one half-depth adjustable shelf
Comes with 2 metal brackets, see page 69
for installation instructions

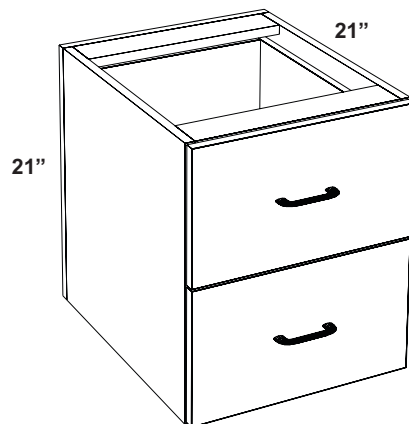
FV2421FH
FV2721FH
FV3021FH
FV3321FH
FV3621FH



FLOATING VANITY DRAWER BASE CABINETS

Comes with 2 metal brackets, see page 69
for installation instructions

FVDB1221-2
FVDB1521-2
FVDB1821-2
FVDB2121-2
FVDB2421-2



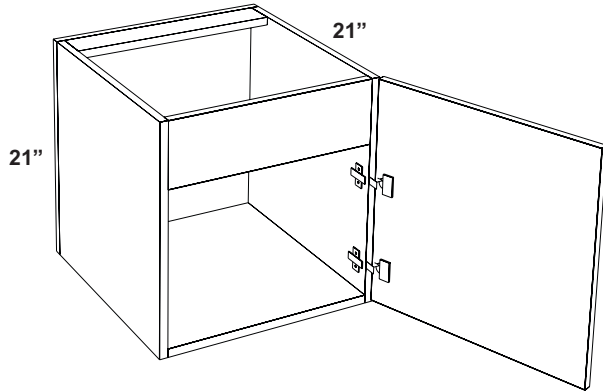


FLOATING VANITY BASE CABINETS

SINGLE DOOR FULL HEIGHT FLOATING VANITY SINK BASE CABINETS

Comes with 2 metal brackets, see page 69
for installation instructions

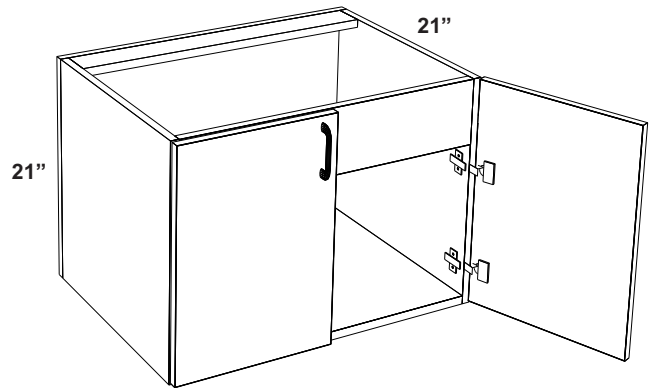
FVS1821FH L or R
FVS2121FH L or R
FVS2421FH_1 L or R



TWO DOOR FULL HEIGHT FLOATING VANITY SINK BASE CABINETS

Comes with 2 metal brackets, see page 69
for installation instructions

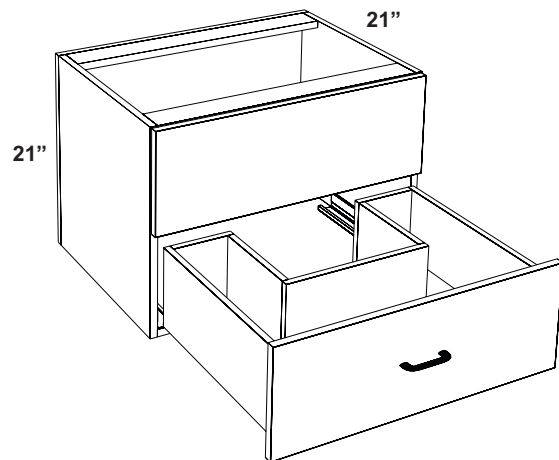
FVS2421FH
FVS2721FH
FVS3021FH
FVS3321FH
FVS3621FH



FLOATING VANITY DRAWER SINK BASE CABINETS

False drawer front & U-shaped drawer
Comes with 2 metal brackets, see page 69
for installation instructions

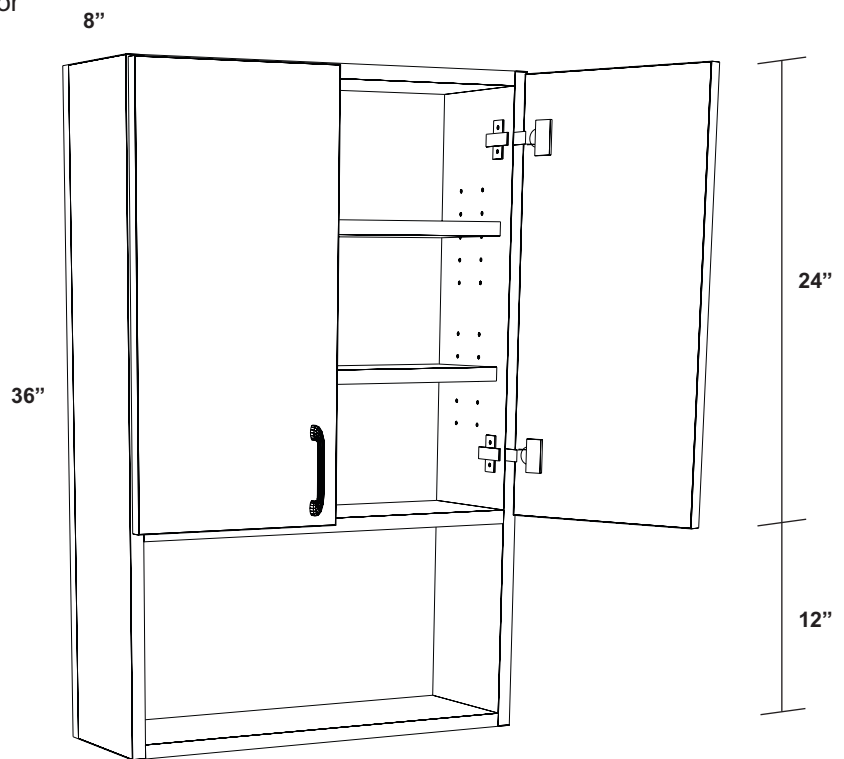
FVSDBU2721
FVSDRU3021
FVSDBU3321
FVSDBU3621



VANITY WALL CABINETS

Vanity wall cabinet has two shelves
Vanity wall cabinet has two hinges per door

VW2436



VANITY TALL CABINETS

96", 93", 90" or 84" HIGH × 18" or 21" DEEP SINGLE DOOR VANITY TALL CABINETS

Upper section on 96", 93" and 90" high cabinets has one shelf
 Upper section on 84" high cabinets has no shelves
 Lower section of all tall cabinets has two shelves
 Upper section on all cabinets has two hinges per door
 Lower section of all cabinets has three hinges per door

18" DEEP VANITY CABINETS

12" WIDE

VTU1296-18 L or R
 VTU1293-18 L or R
 VTU1290-18 L or R
 VTU1284-12 L or R

15" WIDE

VTU1596-18 L or R
 VTU1593-18 L or R
 VTU1590-18 L or R
 VTU1584-18 L or R

18" WIDE

VTU1896-18 L or R
 VTU1893-18 L or R
 VTU1890-18 L or R
 VTU1884-18 L or R

21" WIDE

VTU2196-18 L or R
 VTU2193-18 L or R
 VTU2190-18 L or R
 VTU2184-18 L or R

24" WIDE

VTU2496-18 L or R
 VTU2493-18 L or R
 VTU2490-18 L or R
 VTU2484-18 L or R

21" DEEP VANITY CABINETS

12" WIDE

VTU1296-21 L or R
 VTU1293-21 L or R
 VTU1290-21 L or R
 VTU1284-21 L or R

15" WIDE

VTU1596-21 L or R
 VTU1593-21 L or R
 VTU1590-21 L or R
 VTU1584-21 L or R

18" WIDE

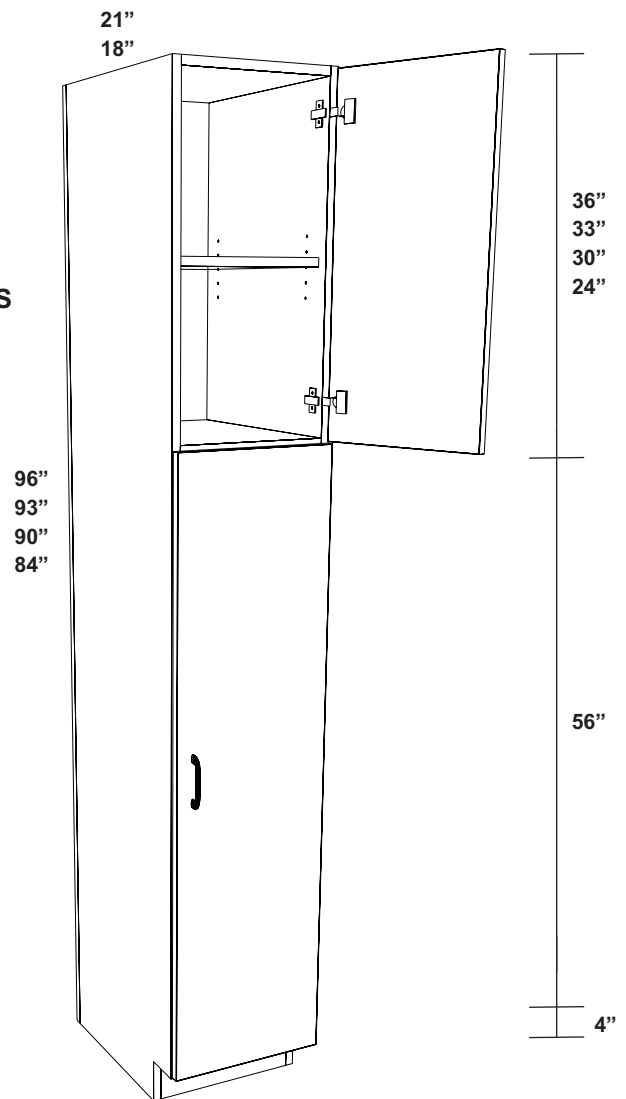
VTU1896-21 L or R
 VTU1893-21 L or R
 VTU1890-21 L or R
 VTU1884-21 L or R

21" WIDE

VTU2196-21 L or R
 VTU2193-21 L or R
 VTU2190-21 L or R
 VTU2184-21 L or R

24" WIDE

VTU2496-21 L or R
 VTU2493-21 L or R
 VTU2490-21 L or R
 VTU2484-21 L or R



VANITY INVERTED TALL CABINETS

96", 93", 90" or 84" HIGH × 18" DEEP INVERTED SINGLE DOOR VANITY TALL CABINETS

Upper section on all cabinets has two shelves
 Lower section on all tall cabinets has one shelf
 Upper section on all cabinets has three hinges per door
 Lower section of all cabinets has two hinges per door

Top edge of lower door at 32-1/2" from floor

Top edge of lower door at 34-1/2" from floor

12" WIDE

VITU1296-18 L or R
 VITU1293-18 L or R
 VITU1290-18 L or R
 VITU1284-12 L or R

12" WIDE

VITUH1296-18 L or R
 VITUH1293-18 L or R
 VITUH1290-18 L or R
 VITUH1284-18 L or R

15" WIDE

VITU1596-18 L or R
 VITU1593-18 L or R
 VITU1590-18 L or R
 VITU1584-18 L or R

15" WIDE

VITUH1596-18 L or R
 VITUH1593-18 L or R
 VITUH1590-18 L or R
 VITUH1584-18 L or R

18" WIDE

VITU1896-18 L or R
 VITU1893-18 L or R
 VITU1890-18 L or R
 VITU1884-18 L or R

18" WIDE

VITUH1896-18 L or R
 VITUH1893-18 L or R
 VITUH1890-18 L or R
 VITUH1884-18 L or R

21" WIDE

VITU2196-18 L or R
 VITU2193-18 L or R
 VITU2190-18 L or R
 VITU2184-18 L or R

21" WIDE

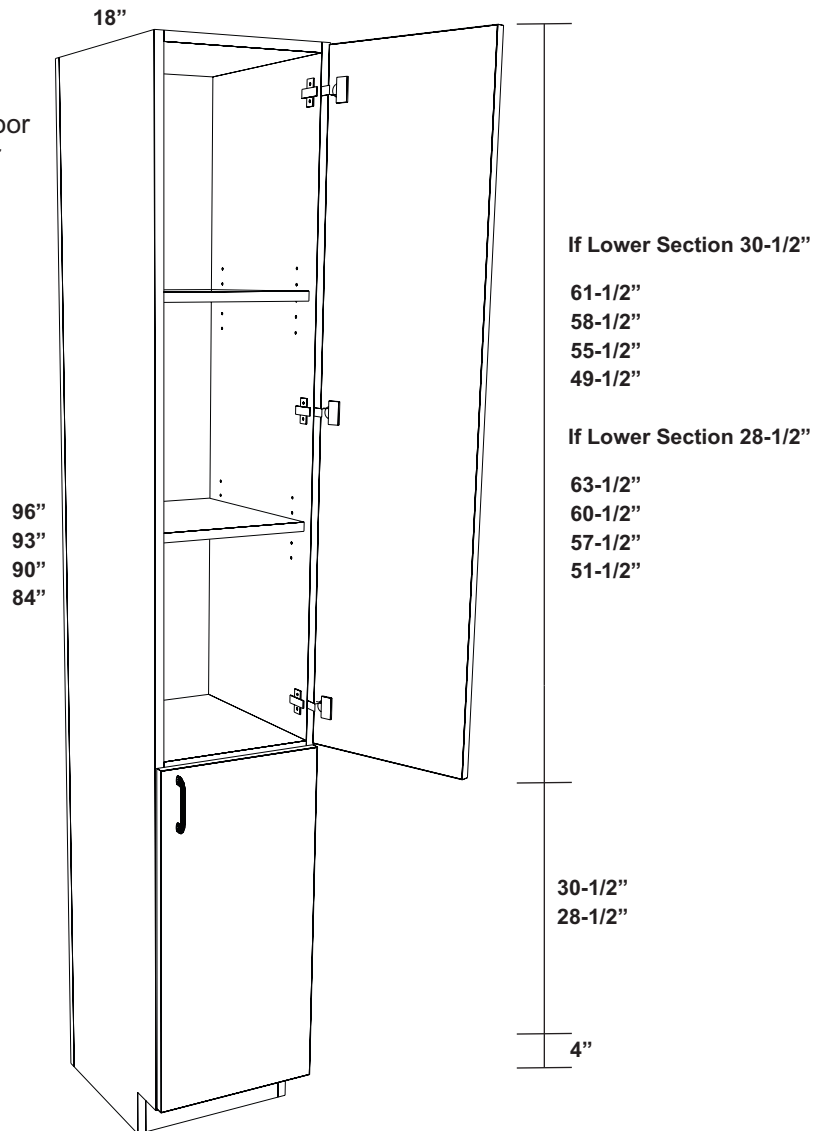
VITUH2196-18 L or R
 VITUH2193-18 L or R
 VITUH2190-18 L or R
 VITUH2184-18 L or R

24" WIDE

VITU2496-18 L or R
 VITU2493-18 L or R
 VITU2490-18 L or R
 VITU2484-18 L or R

24" WIDE

VITUH2496-18 L or R
 VITUH2493-18 L or R
 VITUH2490-18 L or R
 VITUH2484-18 L or R



VANITY INVERTED TALL CABINETS

96", 93", 90" or 84" HIGH × 21" DEEP INVERTED SINGLE DOOR VANITY TALL CABINETS

Upper section on all cabinets has two shelves
 Lower section on all tall cabinets has one shelf
 Upper section on all cabinets has three hinges per door
 Lower section of all cabinets has two hinges per door

Top edge of lower door at 32-1/2" from floor

Top edge of lower door at 34-1/2" from floor

12" WIDE

VITU1296-21 L or R
 VITU1293-21 L or R
 VITU1290-21 L or R
 VITU1284-21 L or R

12" WIDE

VITUH1296-21 L or R
 VITUH1293-21 L or R
 VITUH1290-21 L or R
 VITUH1284-21 L or R

15" WIDE

VITU1596-21 L or R
 VITU1593-21 L or R
 VITU1590-21 L or R
 VITU1584-21 L or R

15" WIDE

VITUH1596-21 L or R
 VITUH1593-21 L or R
 VITUH1590-21 L or R
 VITUH1584-21 L or R

18" WIDE

VITU1896-21 L or R
 VITU1893-21 L or R
 VITU1890-21 L or R
 VITU1884-21 L or R

18" WIDE

VITUH1896-21 L or R
 VITUH1893-21 L or R
 VITUH1890-21 L or R
 VITUH1884-21 L or R

21" WIDE

VITU2196-21 L or R
 VITU2193-21 L or R
 VITU2190-21 L or R
 VITU2184-21 L or R

21" WIDE

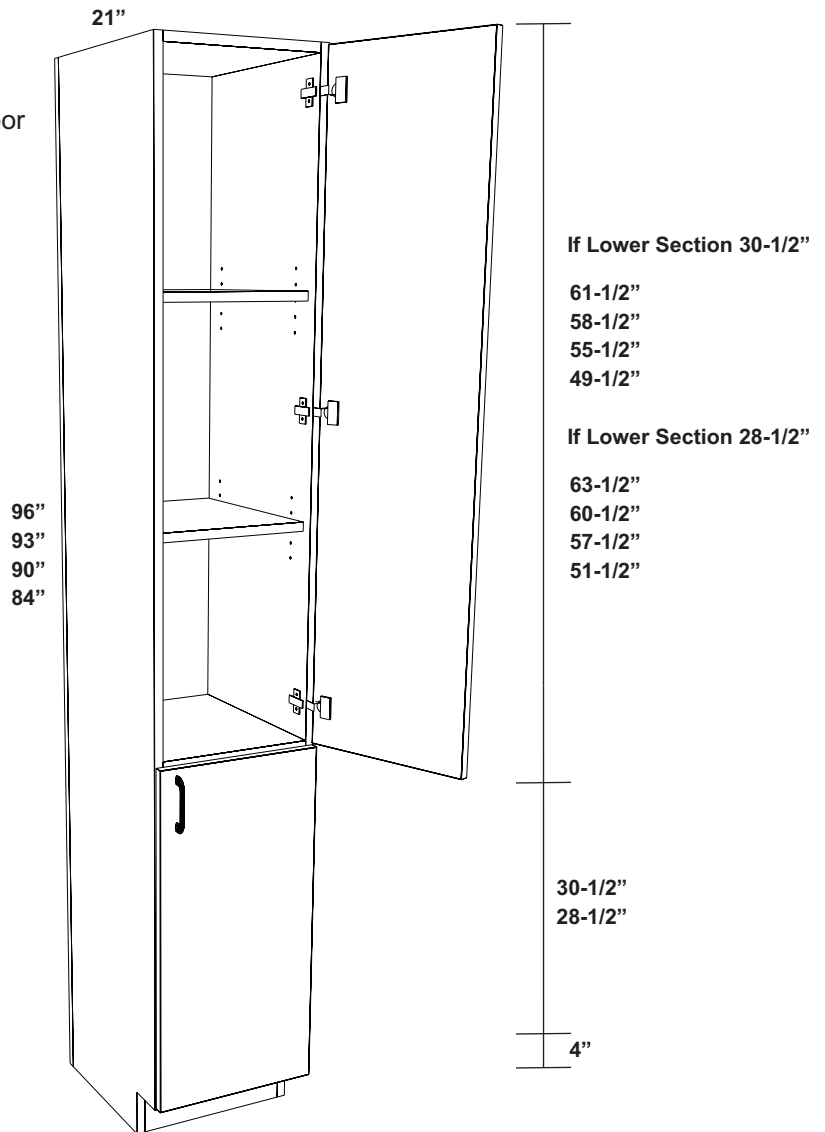
VITUH2196-21 L or R
 VITUH2193-21 L or R
 VITUH2190-21 L or R
 VITUH2184-21 L or R

24" WIDE

VITU2496-21 L or R
 VITU2493-21 L or R
 VITU2490-21 L or R
 VITU2484-21 L or R

24" WIDE

VITUH2496-21 L or R
 VITUH2493-21 L or R
 VITUH2490-21 L or R
 VITUH2484-21 L or R



VANITY TALL LINEN CABINETS

96", 93", 90" or 84" HIGH × 18" or 21" DEEP SINGLE DOOR VANITY TALL LINEN CABINETS

Upper section on all tall cabinets has two shelves
 Lower section of all tall cabinets has two shelves
 Upper section on all cabinets has three hinges per door
 Lower section of all cabinets has two hinges per door

18" DEEP LINEN CABINETS

12" WIDE

VTL1296-18 L or R
 VTL1293-18 L or R
 VTL1290-18 L or R
 VTL1284-18 L or R

15" WIDE

VTL1596-18 L or R
 VTL1593-18 L or R
 VTL1590-18 L or R
 VTL1584-18 L or R

18" WIDE

VTL1896-18 L or R
 VTL1893-18 L or R
 VTL1890-18 L or R
 VTL1896-18 L or R

21" WIDE

VTL2196-18 L or R
 VTL2193-18 L or R
 VTL2190-18 L or R
 VTL2196-18 L or R

24" WIDE

VTL2496-18 L or R
 VTL2493-18 L or R
 VTL2490-18 L or R
 VTL2496-18 L or R

21" DEEP LINEN CABINETS

12" WIDE

VTL1296-21 L or R
 VTL1293-21 L or R
 VTL1290-21 L or R
 VTL1284-21 L or R

15" WIDE

VTL1596-21 L or R
 VTL1593-21 L or R
 VTL1590-21 L or R
 VTL1584-21 L or R

18" WIDE

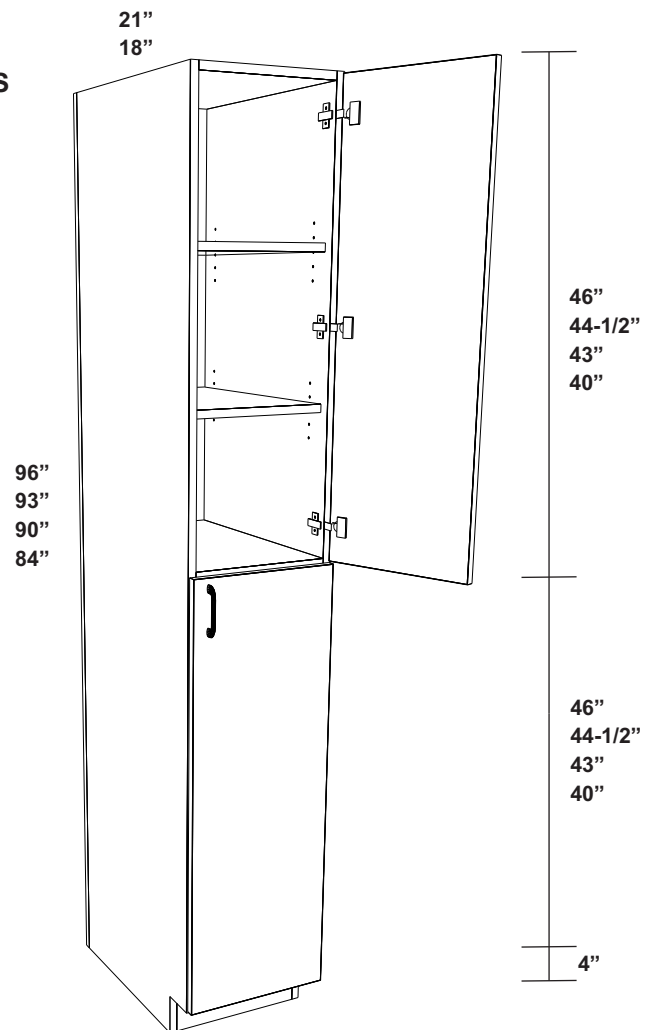
VTL1896-21 L or R
 VTL1893-21 L or R
 VTL1890-21 L or R
 VTL1896-21 L or R

21" WIDE

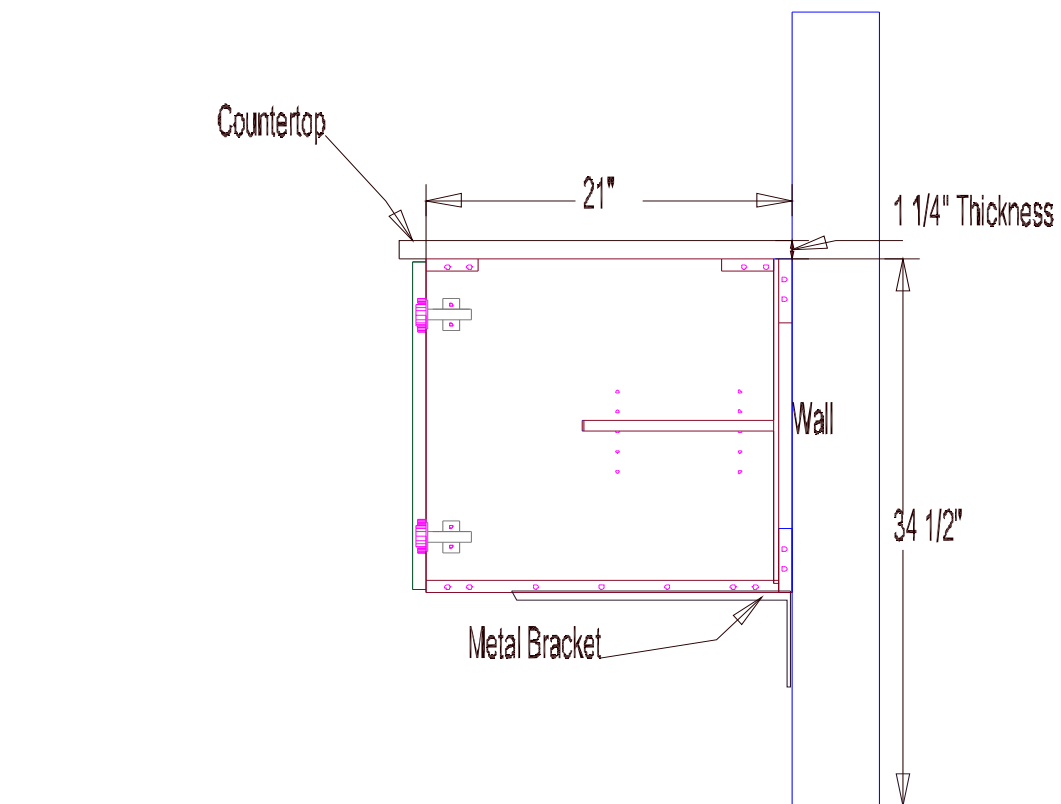
VTL2196-21 L or R
 VTL2193-21 L or R
 VTL2190-21 L or R
 VTL2196-21 L or R

24" WIDE

VTL2496-21 L or R
 VTL2493-21 L or R
 VTL2490-21 L or R
 VTL2484-21 L or R



FLOATING VANITY INSTRUCTIONS



UNIVERSAL ACCESS CABINETS

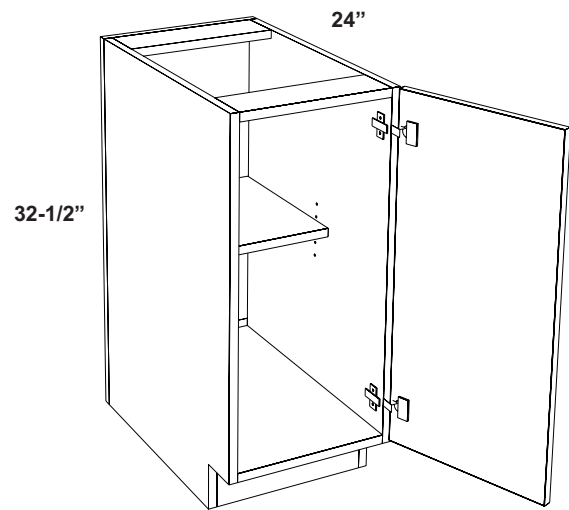


UNIVERSAL ACCESS SINGLE DOOR BASE CABINETS

UNIVERSAL ACCESS SINGLE DOOR FULL HEIGHT BASE CABINETS

One half-depth adjustable shelf

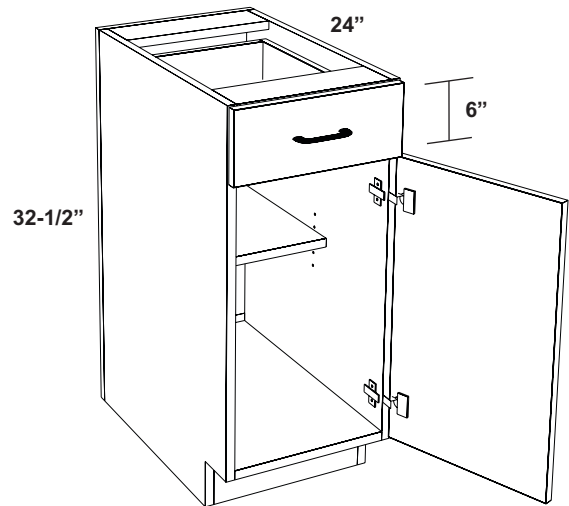
HAB09FH L or R
HAB12FH L or R
HAB15FH L or R
HAB18FH L or R
HAB21FH L or R
HAB24FH_1 L or R



UNIVERSAL ACCESS SINGLE DOOR AND DRAWER BASE CABINETS

One half-depth adjustable shelf

HAB09 L or R
HAB12 L or R
HAB15 L or R
HAB18 L or R
HAB21 L or R
HAB24 L or R

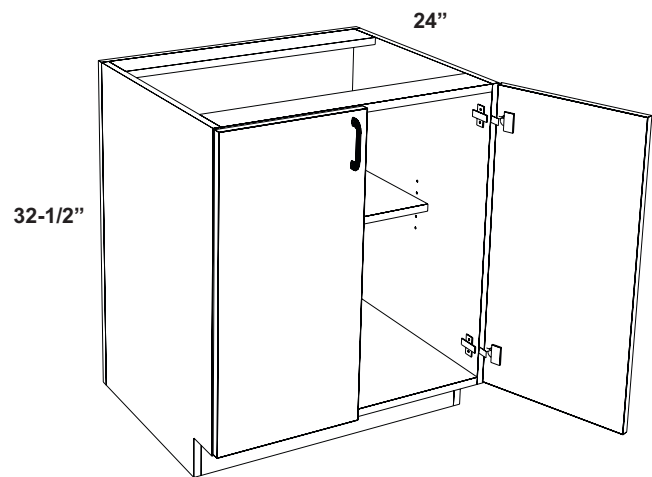


UNIVERSAL ACCESS TWO DOOR BASE CABINETS

UNIVERSAL ACCESS TWO DOOR FULL HEIGHT BASE CABINETS

One half-depth adjustable shelf

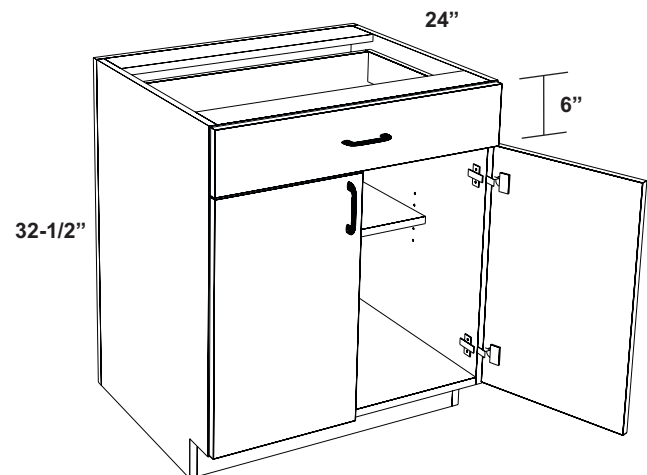
HAB24FH
HAB27FH
HAB30FH
HAB33FH
HAB36FH
HAB39FH



UNIVERSAL ACCESS TWO DOOR AND DRAWER BASE CABINETS

One half-depth adjustable shelf

HAB24
HAB27
HAB30
HAB33
HAB36
HAB39

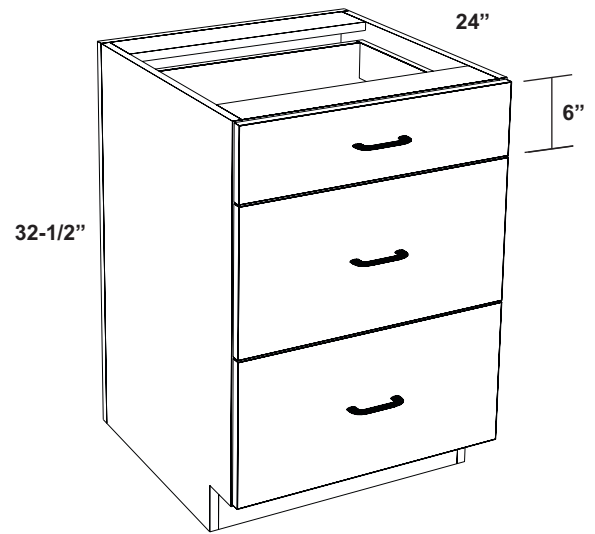


UNIVERSAL ACCESS DRAWER BASE CABINETS

UNIVERSAL ACCESS THREE DRAWER BASE CABINETS

One standard height drawer and two equal drawers

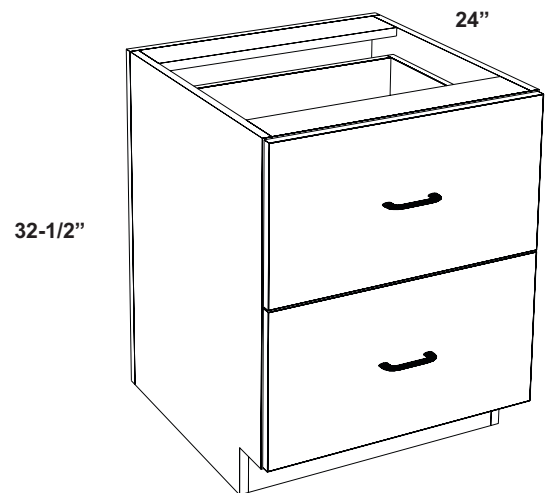
- HADB12-3
- HADB15-3
- HADB18-3
- HADB21-3
- HADB24-3
- HADB27-3
- HADB30-3
- HADB33-3
- HADB36-3



UNIVERSAL ACCESS TWO DRAWER BASE CABINETS

Two equal drawers

- HADB12-2
- HADB15-2
- HADB18-2
- HADB21-2
- HADB24-2
- HADB27-2
- HADB30-2
- HADB33-2
- HADB36-2

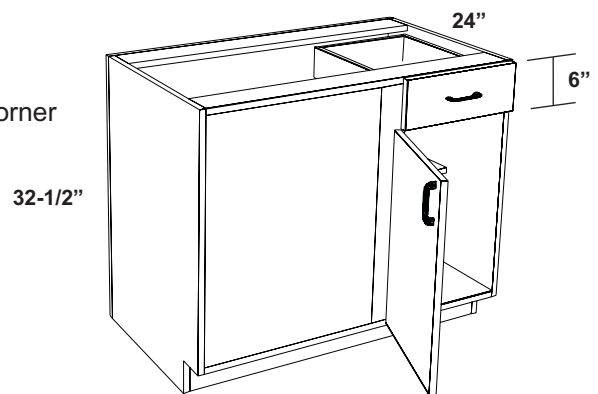


UNIVERSAL ACCESS CORNER AND BLIND BASE CABINETS

UNIVERSAL ACCESS SINGLE DOOR AND DRAWER BLIND BASE CABINETS

One half-depth adjustable shelf
 Specify L or R blind panel location
 See page 84 for blind cabinet installation instructions
 Filler must be ordered separately, see page 86. Allow 27" to turn corner

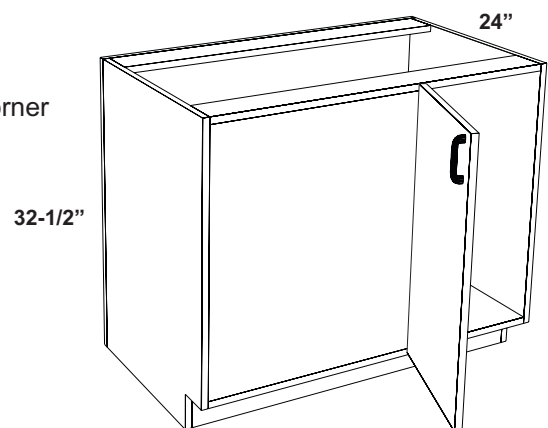
- HABLB36 L or R
- HABLB39 L or R
- HABLB42 L or R
- HABLB45 L or R
- HABLB48 L or R



UNIVERSAL ACCESS SINGLE DOOR FULL HEIGHT BLIND BASE CABINETS

One half-depth adjustable shelf
 Specify L or R blind panel location
 See page 84 for blind cabinet installation instructions
 Filler must be ordered separately, see page 86. Allow 27" to turn corner

- HABLB36FH L or R
- HABLB39FH L or R
- HABLB42FH L or R
- HABLB45FH L or R
- HABLB48FH L or R

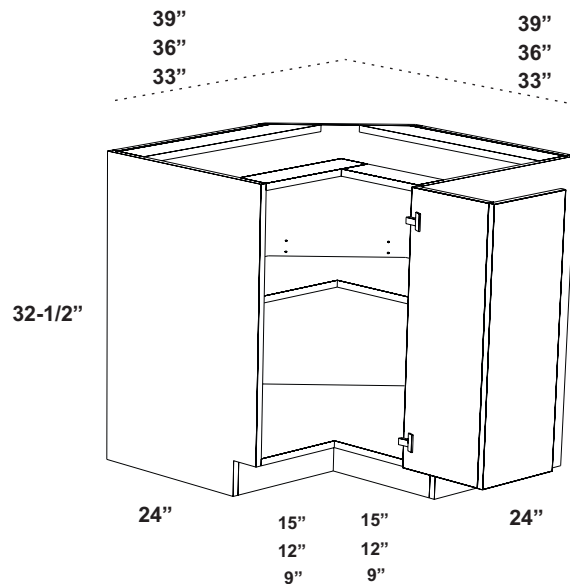


UNIVERSAL ACCESS CORNER AND BLIND BASE CABINETS

UNIVERSAL ACCESS 90° CORNER BASE CABINETS

One adjustable shelf

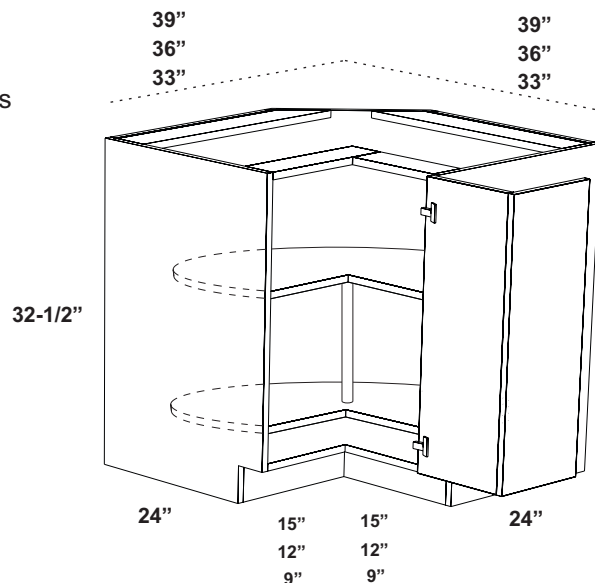
HABER33 L or R
 HABER36 L or R
 HABER39 L or R



UNIVERSAL ACCESS 90° CORNER BASE CABINETS

One kidney-shaped lazy susan with two adjustable shelves

HABER33 L or R
 HABER36 L or R
 HABER39 L or R

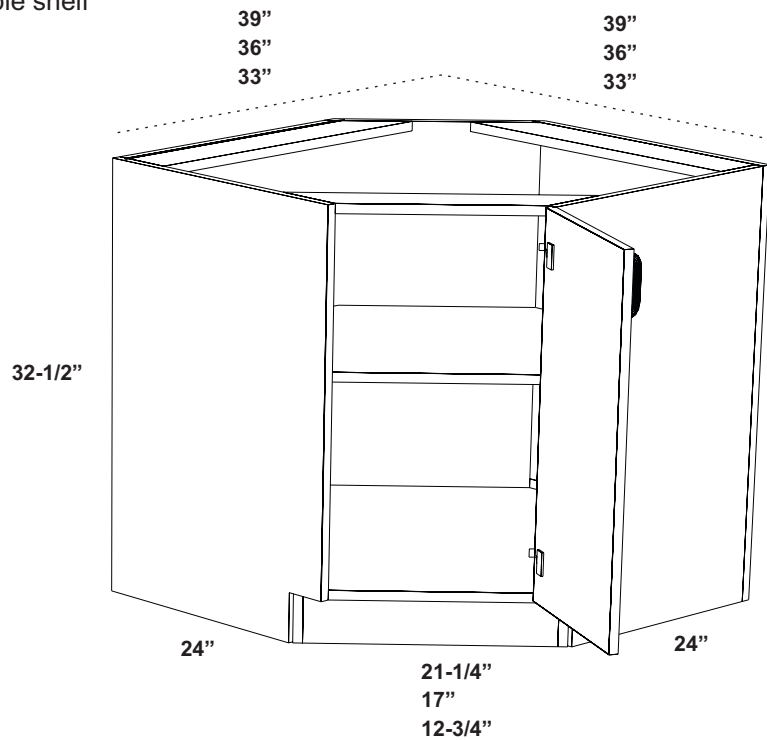


UNIVERSAL ACCESS CORNER AND BLIND BASE CABINETS

UNIVERSAL ACCESS 45° CORNER BASE CABINETS

Cabinets come with one half-depth adjustable shelf

HABCD33 L or R
 HABCD36 L or R
 HABCD39 L or R



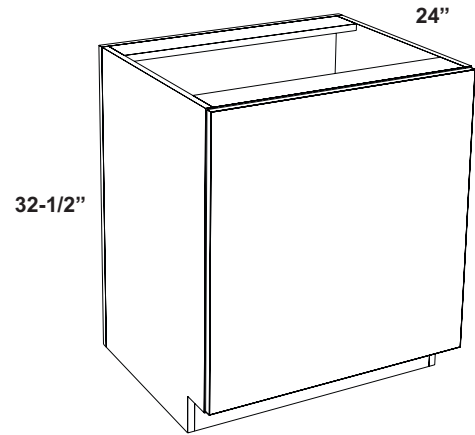
UNIVERSAL ACCESS SPECIALTY BASE CABINETS

UNIVERSAL ACCESS BASE OVEN CABINETS

For under counter installation of single oven
Cabinets come with full coverage panel
On-site trimming required based upon specs of oven;
Base oven cabinets do not come with matching interior

HABOC27
HABOC30

MAXIMUM CUT OUT DIMENSIONS		
MODEL	WIDTH MAXIMUM	HEIGHT MAXIMUM
HABOC27	25-1/2"	27"
HABOC30	28-1/2"	27"

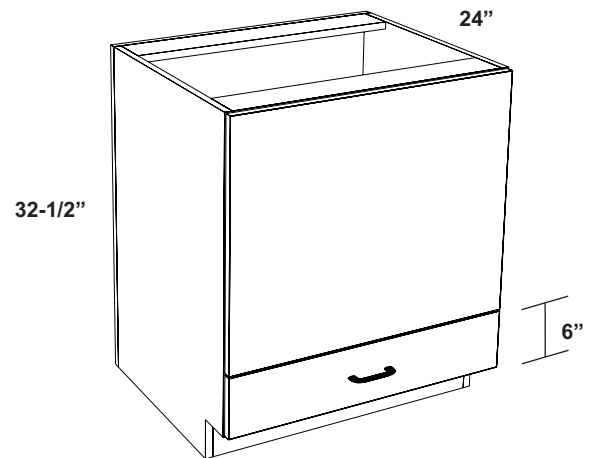


UNIVERSAL ACCESS SINGLE DRAWER MICROWAVE BASE CABINETS

For under counter installation of microwave
Cabinets come with full coverage panel
Includes one standard drawer
On-site trimming required based upon specs of microwave;
Microwave base cabinets do not come with matching interior

HABOD27
HABOD30

MAXIMUM CUT OUT DIMENSIONS		
MODEL	WIDTH MAXIMUM	HEIGHT MAXIMUM
HABOD27	25-1/2"	21-1/4"
HABOD30	28-1/2"	21-1/4"



UNIVERSAL ACCESS SPECIALTY BASE CABINETS

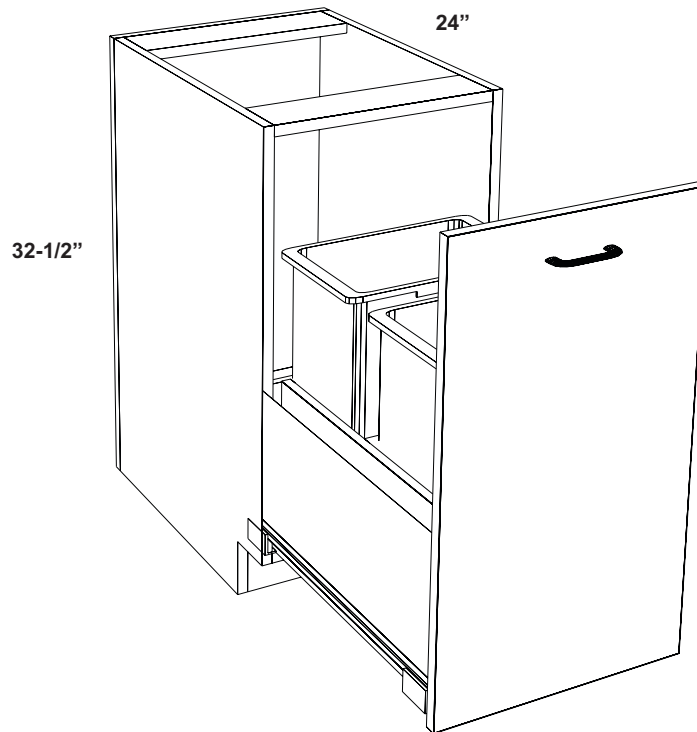
UNIVERSAL ACCESS FULL HEIGHT BASE CABINET WITH TRASHCAN

Opens as drawer

15" wide cabinets come with one 35 qt waste bin

18" wide cabinets come with two 35 qt waste bins

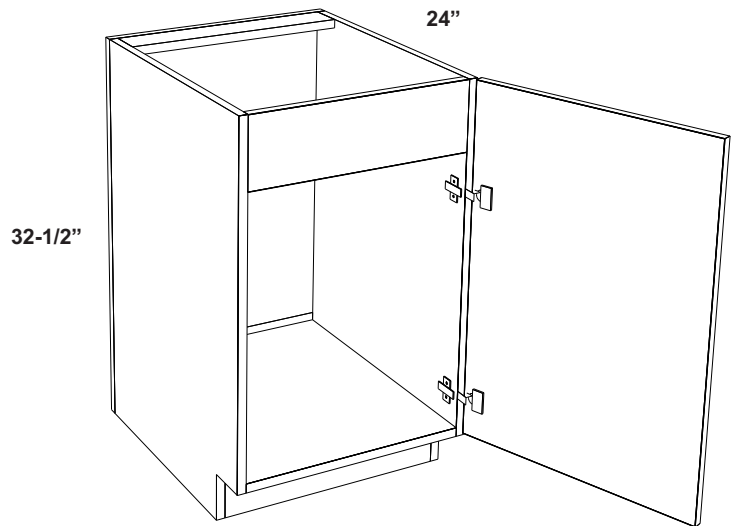
HAB15TKS
HAB18TKD



UNIVERSAL ACCESS SINK BASE CABINETS

UNIVERSAL ACCESS SINGLE DOOR FULL HEIGHT SINK BASE CABINETS

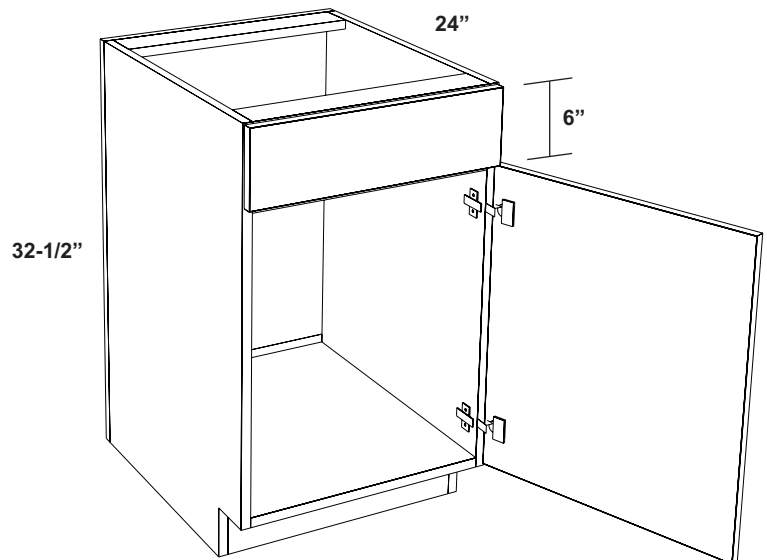
HASB18FH L or R
 HASB21FH L or R
 HASB24FH_1 L or R



UNIVERSAL ACCESS SINGLE DOOR SINK BASE CABINETS

False drawer front

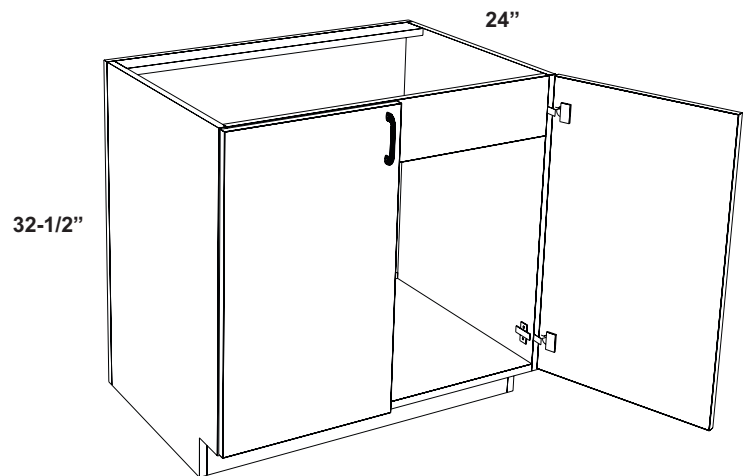
HASB18 L or R
 HASB21 L or R
 HASB24_1 L or R



UNIVERSAL ACCESS SINK BASE CABINETS

UNIVERSAL ACCESS TWO DOOR FULL HEIGHT SINK BASE CABINETS

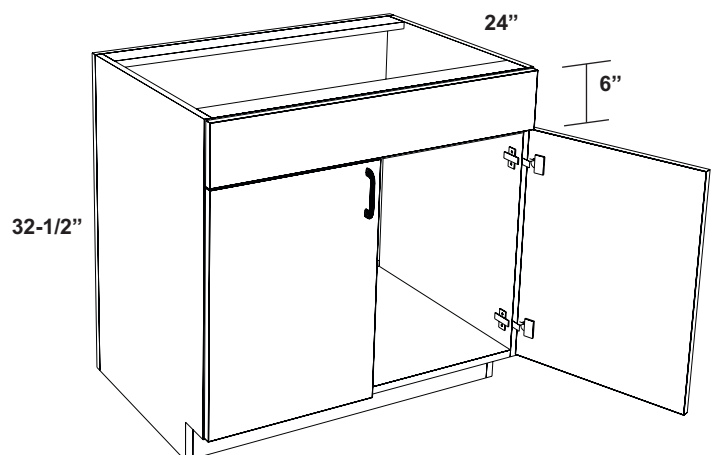
HASB24FH
HASB27FH
HASB30FH
HASB33FH
HASB36FH
HASB39FH
HASB42FH
HASB45FH
HASB48FH



UNIVERSAL ACCESS TWO DOOR SINK BASE CABINETS

False drawer front

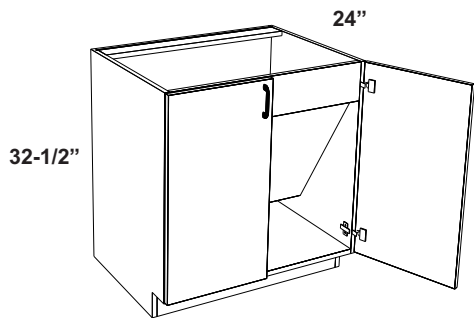
HASB24
HASB27
HASB30
HASB33
HASB36
HASB39
HASB42
HASB45
HASB48



UNIVERSAL ACCESS SINK BASE CABINETS

UNIVERSAL ACCESS TWO DOOR FULL HEIGHT SINK BASE CABINETS WITH REMOVABLE FRONT

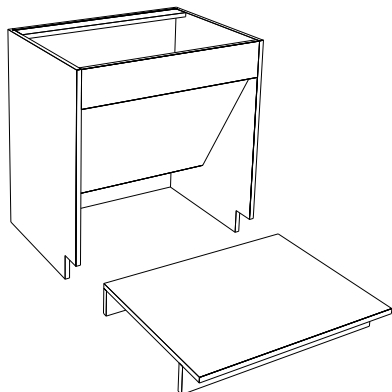
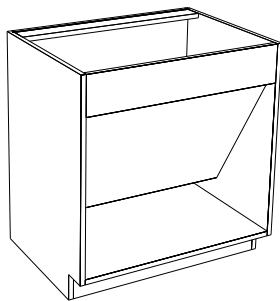
Removable plumbing skirt to ease access for plumbing installation and repair, matching exterior finish



HAESBRB31.5FH
HAESBRB33FH
HAESBRB36FH

HOW TO REMOVE CABINET FRONT & BOTTOM

1. Remove both doors.
2. Lift the bottom upwards and remove the bottom through the front opening



UNIVERSAL ACCESS SINK BASE CABINETS

HANGING WALL SINK BASE PLUMBING SKIRTS

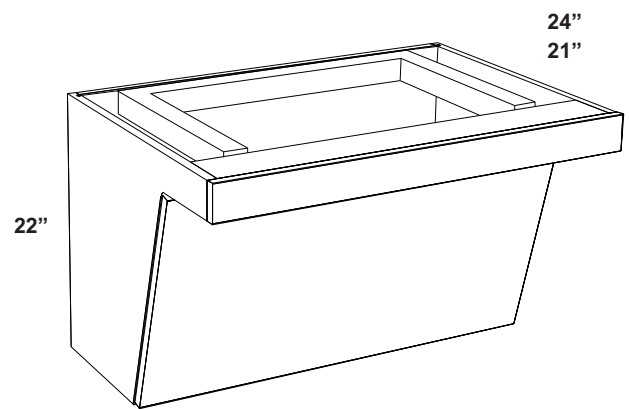
False drawer front
Cabinet comes with one floating vanity bracket

24" DEEP

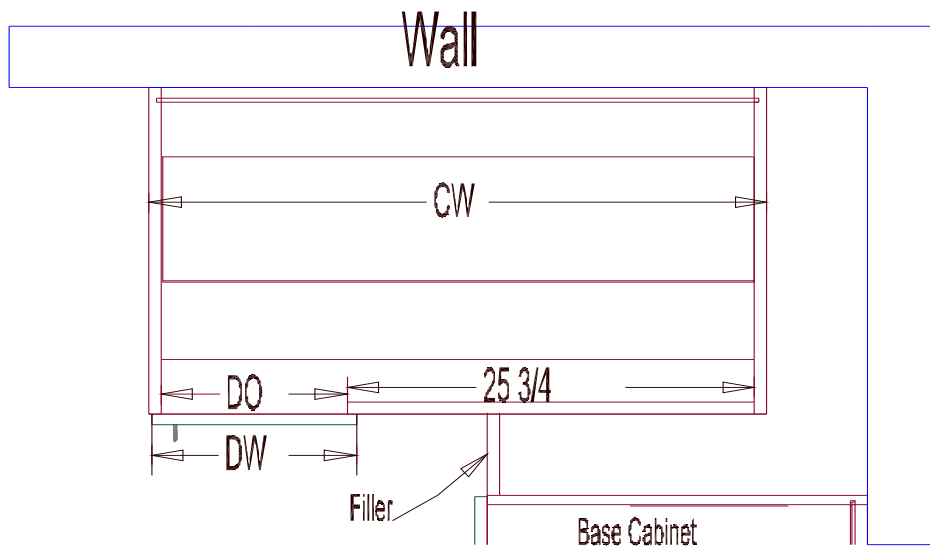
HWSB31.5
HWSB33
HWSB36

21" DEEP

HWSB31.5-21
HWSB33-21
HWSB36-21



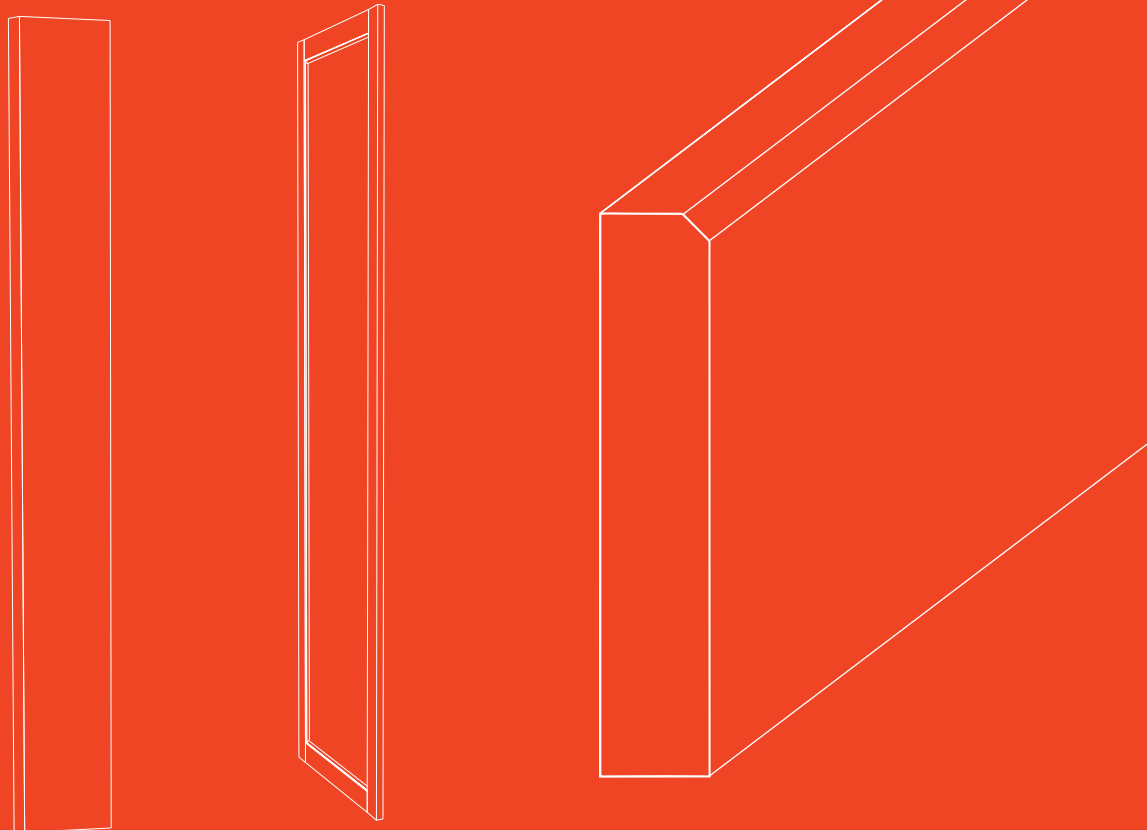
UNIVERSAL ACCESS BLIND BASE CABINET INSTRUCTIONS



BLIND BASE CABINETS BY WIDTH			
Cabinet	CW	DW	DO
HABLB36	36"	9 15/16"	8 3/4"
HABLB39	39"	12 15/16"	11 3/4"
HABLB42	42"	15 15/16"	14 3/4"
HABLB45	45"	18 15/16"	17 3/4"
HABLB48	48"	21 15/16"	20 3/4"

BLIND CABINETS LEGEND	
CW	Cabinet Width
DW	Door Width
DO	Door Opening

FILLERS, PANELS & MOLDINGS

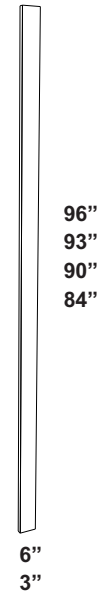


FILLERS

96", 93", 90" AND 84" HIGH TALL CABINET FILLERS

Available in door front materials and finishes

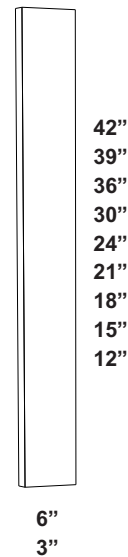
- TF384
- TF684
- TF390
- TF690
- TF693
- TF593
- TF396
- TF696



42", 39", 36", 30", 24", 21", 18", 15" AND 12" HIGH WALL CABINET FILLERS

Available in door front materials and finishes

- | | |
|-------|-------|
| WF312 | WF624 |
| WF612 | WF330 |
| WF315 | WF630 |
| WF615 | WF336 |
| WF318 | WF636 |
| WF618 | WF339 |
| WF321 | WF639 |
| WF621 | WF342 |
| WF324 | WF642 |

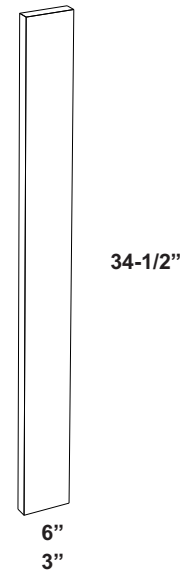


FILLERS

BASE CABINET FILLERS

Available in door front materials and finishes

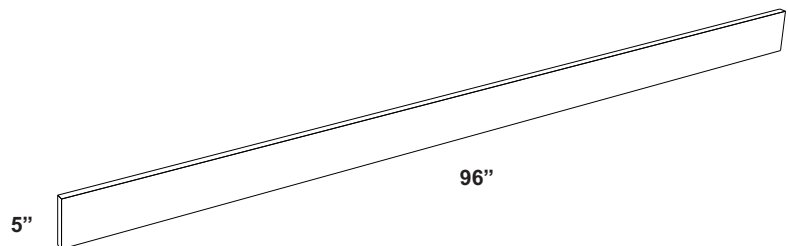
BF3
BF6



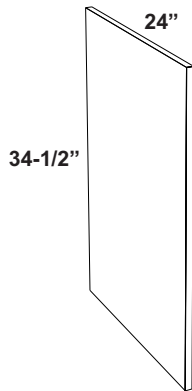
TOE KICK

Available in door front materials and finishes

TK96



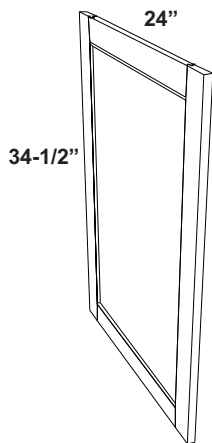
PANELS



BASE END PANEL

3/4" thick
 Matching edgebanding on one of the 34 1/2" edges
 Available in door front materials and finishes

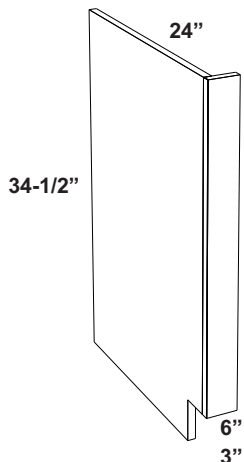
BEP24



5 PIECE BASE END PANEL/ROUTED BASE END PANEL

3/4" thick
 Available in select door front materials and finishes

BEP24F



DISHWASHER END PANEL

Available in door front materials and finishes

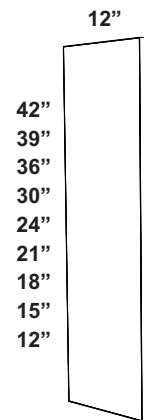
DW3 L or R
 DW6 L or R

PANELS

42", 39", 36", 30", 24", 21", 18", 15" AND 12" HIGH WALL END PANELS

3/4" thick
Matching edgebanding on all edges
Available in door front materials and finishes

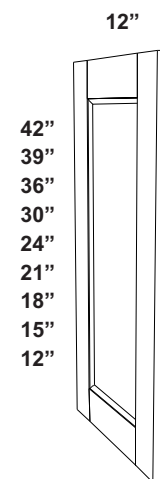
- WEP12
- WEP15
- WEP18
- WEP21
- WEP24
- WEP30
- WEP36
- WEP39
- WEP42



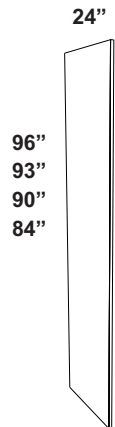
42", 39", 36", 30", 24", 21", 18", 15" AND 12" HIGH 5 PIECE WALL END PANEL/ROUTED WALL END PANEL

3/4" thick
Available in select door front materials and finishes

- WEP12F
- WEP15F
- WEP18F
- WEP21F
- WEP24F
- WEP30F
- WEP36F
- WEP39F
- WEP42F



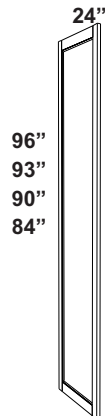
PANELS



96", 93", 90" AND 84" HIGH TALL END PANEL

3/4" thick
 Matching edgebanding on one of the tall edges
 Available in door front materials and finishes

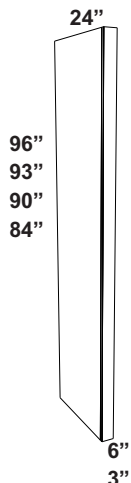
TEP84
 TEP90
 TEP93
 TEP96



96", 93", 90" AND 84" HIGH 5 PIECE TALL END PANEL/ROUTED TALL END PANEL

3/4" thick
 Available in select door front materials and finishes

TEP84F
 TEP90F
 TEP93F
 TEP96F



REFRIGERATOR END PANEL

Available in door front materials and finishes

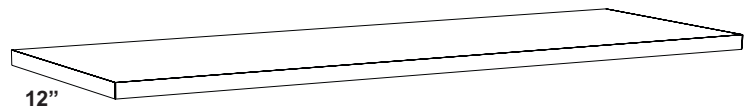
RP84 L or R
 RP90 L or R
 RP93 L or R
 RP96 L or R

VALANCES

SHELVES

Available in select door front materials and finishes
Matching edgebanding on both short edges and one long edge

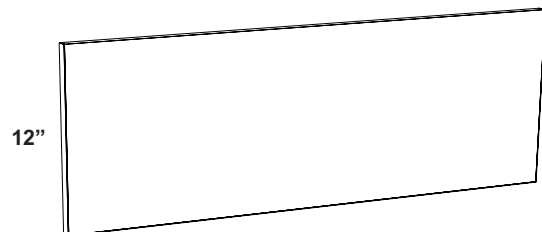
- SH30
- SH36
- SH42
- SH48



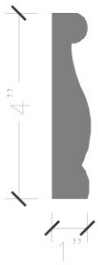
VALANCES

Available in select door front materials and finishes
Matching edgebanding on all edges

- VAL30
- VAL36
- VAL42
- VAL48



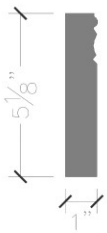
MOLDINGS



COVE BASE MOLDING

Comes in 8' long pieces
Available in select door front materials and finishes

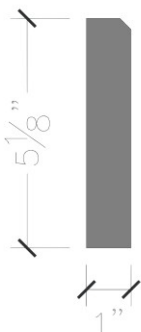
PP624SM



TRADITIONAL BASE MOLDING

Comes in 8' long pieces
Available in select door front materials and finishes

KB4-SM

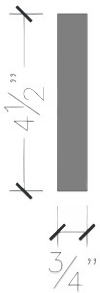


SHAKER BASE MOLDING

Comes in 8' long pieces
Available in select door front materials and finishes

KB5-SM

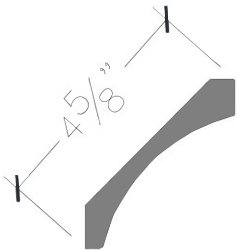
MOLDINGS



SQUARE BASE MOLDING

Comes in 8' long pieces
Available in select door front materials and finishes

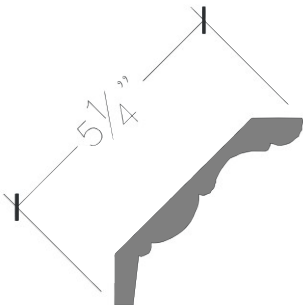
KBSB-M



COVE CROWN MOLDING

Comes in 8' long pieces
Available in select door front materials and finishes

KB7-SM

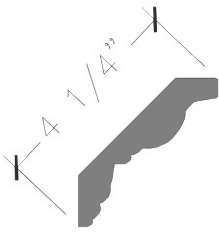


5" TRADITIONAL CROWN MOLDING

Comes in 8' long pieces
Available in select door front materials and finishes

KB1-SM

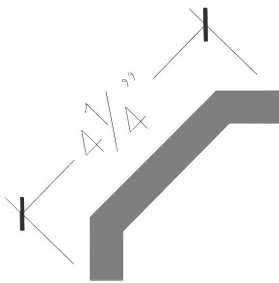
MOLDINGS



4" TRADITIONAL CROWN MOLDING

Comes in 8' long pieces
 Available in select door front materials and finishes

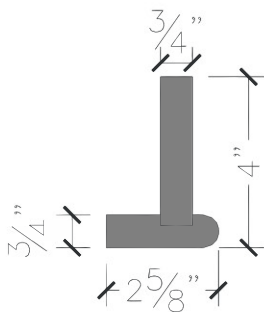
KB2-SM



SHAKER CROWN MOLDING

Comes in 8' long pieces
 Available in select door front materials and finishes

PP48SM

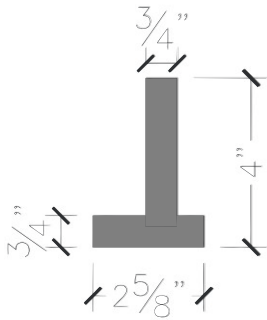


COVE CROWN SUPPORT MOLDING

Comes in 8' long pieces
 Available in select door front materials and finishes

KB9-SM

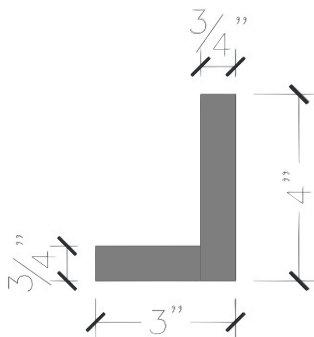
MOLDINGS



SHAKER CROWN SUPPORT MOLDING

Comes in 8' long pieces
 Available in select door front materials and finishes

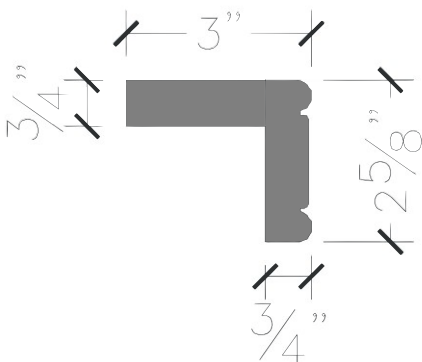
KB10-SM



SQUARE CROWN SUPPORT MOLDING

Comes in 8' long pieces
 Available in select door front materials and finishes

KBSS-SM

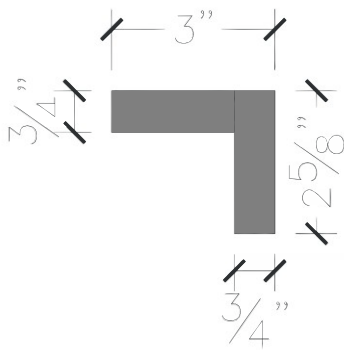


COVE LIGHT RAIL MOLDING

Comes in 8' long pieces
 Available in select door front materials and finishes

KB8-SM

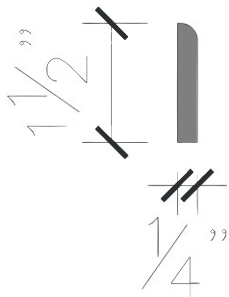
MOLDINGS



SQUARE LIGHT RAIL MOLDING

Comes in 8' long pieces
Available in select door front materials and finishes

KBSLR-SM



SCRIBE MOLDING

Comes in 8' long pieces
Available in select door front materials and finishes

KB11-SM



WARRANTY

LIMITED 1 YEAR WARRANTY

What is your warranty?

Kitchen & Bath Design Group, LLC warrants its cabinetry to be free of defects in material or workmanship for a period of 1 year.

WARRANTY COVERAGE

Kitchen & Bath Design Group LLC, at its option, may elect to repair or to replace any Kitchen & Bath Design Group product covered by this warranty. We are always innovating and actively seeking out ways to improve our product offering and to make your life easier. As such, some replacement parts are subject to availability, and may differ from those originally supplied.

WARRANTY LIMITATIONS AND EXCLUSIONS

The natural aging or darkening of wood color, the inherent growth characteristics of, or variation in wood. We believe this is the beauty of nature and not a defect. Color changes may occur in the laminate and finished woods products because of exposure to light and other elements which are part of the aging process, this material variations and changes are not covered by this warranty.

Products or parts purchased without a finish.

Wear and tear, damage or defects caused by misuse, abuse, negligence, alteration, non-residential use, or improper installation, storage, handling, or are subjected to extreme temperatures or extreme moisture levels.

In addition, all hinges and drawer slides used in the manufacture of Kitchen & Bath Design Group LLC are warranted by the manufacturer of the hinges and slides for one year period time.

To the maximum extent permitted by applicable law: This warranty does not cover indirect, special, incidental, or consequential damages, loss of use, or labor expenses in uninstalling or installing any material or parts, whether arising out of breach of warranty, breach of contract, negligence, tort, or any other legal theory, even if Kitchen & Bath Design Group LLC has been advised of the possibility thereof. Kitchen & Bath Design Group LLC disclaims responsibility for damages in excess of your purchase price.

This warranty excludes all industrial, commercial and business usage, whose purchasers are hereby extended a one year limited warranty from the date of purchase, with all other terms of this warranty applying except the duration of the warranty. Some provinces and some states do not allow the exclusion or limitation of incidental or consequential damages, so the above limitation or exclusion may not apply to you. This warranty is not transferable.